

APPENDIX A – TECHNICAL DATA

SPECIFICATIONS

Physical

Size

Length: 19.0"

Height: 8.1" (requires 10.5" of rack space)

Depth: 3.4"

Weight

7.0lb.

Environmental

Storage

Temperature: -50 °C to 85 °C

Humidity: 0 to 95%, non-condensing

Operating

Temperature: -40 °C to 72 °C

Humidity: 0 to 95%, non-condensing

Mounting

Standard: mounts in 19" rack

Optional: 23" rack mounting brackets available

Construction

Chassis

Fully enclosed, anodized aluminum

Externally accessible keypad, LEDs and connectors

Electrical

All components mounted on conformal coated, internal PCBs

Power

Voltage

Range: 9 to 36 Vdc

Consumption

Typical: 4W

Maximum: 5W (with GPS Receiver and Modem options)

Isolation

Power

Minimum: 3800 Vdc from B and N terminals to chassis and inputs

Digital Inputs

Minimum: 3800 Vdc to any terminal

Analog Inputs

Minimum: 3800 Vdc to any terminal

Input to Adjacent Input

Digital: minimum 3800 Vdc

Analog: minimum 3200 Vdc

Ethernet Port

Minimum: 3800 Vdc to any terminal

USB Host and Device Ports

Minimum: 3800 Vdc to any terminal

Internal Modem (optional)

Designed to meet FCC part 68 standards

Capacities

Inputs

Digital: 256, all optically isolated

Analog: 8, voltage only

Virtual: 96, user-assigned

Timer: 200, user-assigned

Train Speed Monitor: 4, user-assigned

Outputs

Relay: 2, form C, rated for 2 A at 24 Vdc or 1 A at 125 Vac, maximum switching capacity of 125 VA or 60 W, service life 1 million electrical (typical)

Event Storage

Standard: 221,284 records

Maximum: 3,711,844 records

Liquid Crystal Display

Characters: 80 total on 4 lines

Viewing Area: 2.8" by .8"

Front Panel Keypad

Quantity: 20 keys

Physical Inputs

Input Impedance

Digital: minimum 10KOhms, optically isolated

Analog: minimum 10MOhms

Range

Digital Input-On: 9 to 36 Vdc

Digital Input-Off: 0 to 1 Vdc

Analog DC Voltage: 3 scales, ± 25.5 Vdc, $+51.1$ Vdc, ± 255 Vdc

Analog AC Voltage: 2 scales, 25.5 Vac, 255 Vac

Event Validation Times

Digital: .01 to 327.67 seconds, compatible with fixed rate flashing circuits

Analog: fast and slow filter settings

Analog Limit Values

High and Low Limits: in multiples of .1 V or 1 V

Analog Input Accuracy

Typical Vdc: ± 1.5 Vdc or ± 1.5 Vdc

Typical Vac: ± 1.5 Vac or ± 1.5 Vac

Virtual Inputs

Definitions

Any logical association shared by 1 to 4 variables (i.e., Digital, Analog, Timer or other Virtual Inputs)

Assigned by defining the state of the Virtual Input for each combination of variable states

Reporting

Creates standard Event Records

Relays can be controlled by each Virtual Input

Modem (optional) can be enabled to dial out Event Records

Timer Inputs

Programming

Any input can be assigned as a trigger or terminating source

On or Off events can be assigned as a trigger or terminating source

Limit Values

High and Low Limits: in multiples of .1 seconds

Range: 0.0 to 999.9 seconds

Reporting

Measured Time is reported in each Timer Input Event Record

Violation of Limit Values are also reported

Temperature Sensing

Usage: measures and reports internal temperature of recorder

High and Low Limits: -67 °F to 257 °F

Train Speed Monitor

Operation

Reports excessive train speed

Logs standard Event Record

Sensors

Digital Inputs: 2 required

Distance: 50' to 5280'

Limit Values

5 to 180 mph

Memory

Type

Non-volatile, Event Records and Setup Database are stored in flash memory chip

Newest data over-writes oldest data, 129th day over-writes first day

Storage Longevity

Infinite with power off

Rated for 100,000 write operations

Ports

RS-232

Quantity: 2, for use with a PC

Terminal Emulation: ANSI

Baud Rates: 300, 600, 1200, 2400, 4800, 9600, 19,200, 38,400, 57,600, 115,200

Bit Format: 8-N-1

USB Host

Compatible with any FAT-32 formatted flash drive

Can create a text file of Event Record data from any time span

Can be used to update firmware

USB Device

Eliminates need for serial comm port, data transfer rates of 4.71 Mbps

A

Ports (continued)**Ethernet**

Type: 10/100 Base-T

Protocols: TCP/IP, Telnet, Modbus, SNTP-Unicast and -Multicast,

Concurrent Sessions: Modbus (5), Telnet (1)

Provides remote or local access via TCP/IP

Data transfer rates of 4.70Mbps

User-assignable IP Address, port, sub-net mask, Unicast IP Address

Modem (optional)

Provides remote access, auto-answer

GPS Receiver (optional)

Used to provide precise, real-time clock control, latitude and longitude coordinates

Connectors**Power**

Detachable, tension clamp, 4-position, 12 to 22 AWG

Dual B and N terminals

Digital Inputs

Detachable, screw-down, 8-position, 12 to 22 AWG

Analog Inputs

Detachable, tension clamp, 8-position, 12 to 22 AWG

Relays (2)

Detachable, tension clamp, 6-position, 12 to 22 AWG

Normally open, normally closed and common terminals per relay

Terminal Port (2)

DE-9 male, configured as modified DCE

USB Host Port

USB Type A female

USB Device Port

USB Type B female

Ethernet Port

RJ-45 female

Telephone Line

RJ-11 female

GPS Receiver (optional)

MCX female

Indicators**LCD Panel**

Includes LED back lighting for enhanced visibility

Displays numerous command menus for configuring the recorder and retrieving data

Front Panel LEDs (3)

GPS/Alarm: green, red for failure

Terminal: green, flashes with send and receive data

Modem: green, flashes with send and receive data and ringing

Ethernet Port LEDs (2)

Green: link established

Yellow: data activity

Controls**Keypad**

Located on front panel, below LCD

Keys: 0-9, Browse, Alpha, Setup, Esc, Enter, Save/., left, right, up, down/-

LCD Contrast Adjust

Single-turn pot., accessible from front panel

Internal Clock**Accuracy**

Typical: ±8 seconds per month (3ppm) when not synchronized

Volatility: maintains accuracy for minimum of 30 days with loss of power

Resolution: .01 seconds for all Event Records

Sync

SNTP-Unicast: via time server, 5 minutes past each hour

SNTP-Multicast: per time server schedule

GPS: once per hour (requires GPS Receiver option)

Operation

Time Zones: selectable from 7 different North American settings and UTC-0

Daylight Saving Time: enable or disable automatic adjustment

Leap Year: automatically adjusted

GPS Receiver (optional)

Includes PCB and external antenna

PCB

Plugs into mating connector inside recorder

Antenna

Size: diameter 1.8", height .6" (not including mounting screw)

Weight: 2 oz. (less cable)

Operating Temperature: -40 °C to 85 °C

Mounting: bulkhead mountable to any surface less than 3/8" thick

Location: unobstructed skyward orientation, for use outdoors

Password Protection**Administrative Level**

Access: unrestricted to all functions

Length: 8 characters

Restricted Level

Access: Event Record and Setup Database viewing only

Length: 8 characters

Passcode

Access: limited modifications to Setup Database via front panel

Length: 8 digits

Internal Modem (optional)**Type**

V.34, 33,600 Baud, data compression and error correction

Usage

Remote access via auto-answer operation

Allows dial-out alarm reporting of Virtual Input records

Compliance

Designed to meet FCC part 68 standards

Dial-out Alarms (optional)**Calling Method**

Primary and secondary dial numbers, multiple attempts

Tone or pulse dialing

Data

Issues Virtual Input Event Records if enabled by Virtual Input definition

MICRO-AIDE reserves the right to make changes, at its sole discretion, to any specification listed herein.

TRANSFER RATES

Table 14 on page 105 lists typical bit transfer rates for each of the CWR-264A's user-accessible ports. In each case the same 20,000 Event Records with no-detail formatting were either dumped to a PC file or saved directly to a flash drive. The times listed are normalized relative to 1,000 Event Records. If speed is a concern, using the USB Device Port is highly recommended.

Port	Time to transfer 1,000 Event Records (sec)	Actual transfer rate (bps)	Relative speed compared to 38,400
Terminal Port (38,400)	19.0	38,396	Used as reference
Internal modem	19.4	37,649	1.0 times faster
Terminal Port (115,200)	6.4	114,845	3.0 times faster
USB Host	.8	n/a	22.4 times faster
Ethernet Port	.2	4,704,075	122.5 times faster
USB Device Port	.2	4,714,063	122.8 times faster

Table 14: Bit Transfer Rates by Port

TERMINAL PORT CABLE

The following cable is included with every CWR-264A.

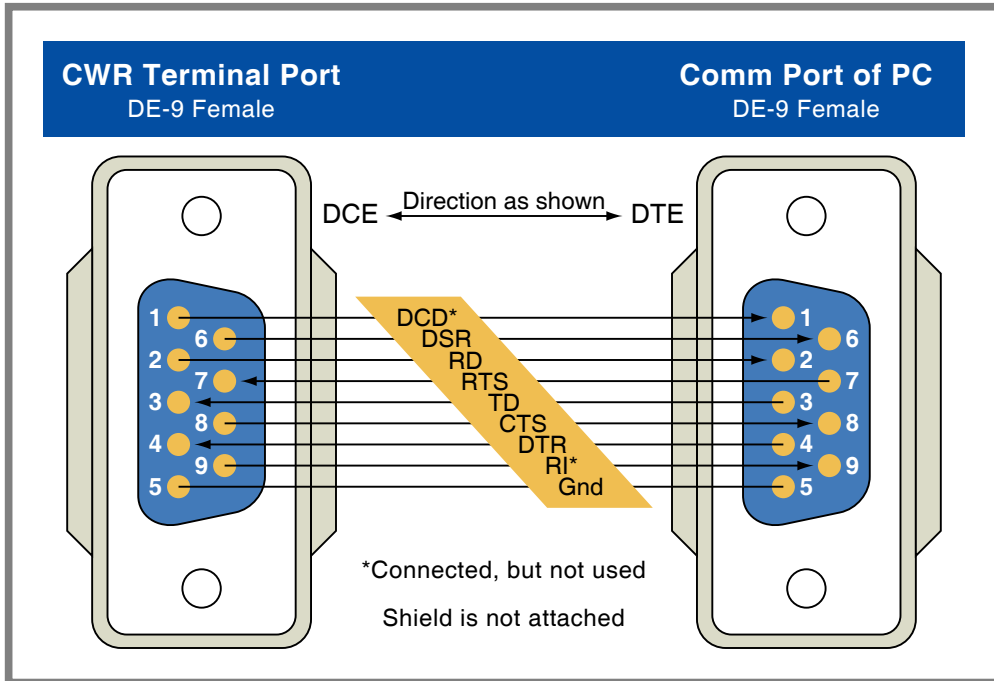


Figure 11: Terminal Port Cable-Wiring Diagram

A