

*CD inside contains
the latest User Manuals
and firmware*

CWR-72 EVENT RECORDER

USER MANUAL

*Rail
Signal
Products*

MICRO-AIDE

*EVENT RECORDERS SPEED MONITORS CURRENT SENSORS
ISOLATED MODEMS BATTERY MONITORS VOLTAGE MONITORS
LIGHT OUT DETECTORS CLOCK SYNCHRONIZERS WHISTLE DETECTORS LOCAL CONTROL PANELS*

MICRO-AIDE



USER MANUAL

CWR-72 EVENT RECORDER



Revised: June 17, 2009

Copyright © 2002 by MICRO-AIDE Corporation

All rights reserved. No part of this document may be reproduced or transmitted in any form or by any means without the written permission of MICRO-AIDE Corporation.

The information in this document is subject to change without notice. MICRO-AIDE believes the information contained in this document to be accurate. However, MICRO-AIDE assumes no responsibility for any errors or omissions.

Windows, Windows XP, Excel and Access are registered trademarks of Microsoft Corporation.

HyperTerminal is a registered trademark of Hilgraeve Inc.

Procomm is a registered trademark of Symantec Corporation.

TABLE OF CONTENTS

CHAPTER 1 GENERAL DESCRIPTION

Introduction	1
Key Features	2
CWR-72 versus Model 48D	4
About this Manual	4
Version 3.03 Firmware	5

CHAPTER 2 INSTALLATION AND SETUP

Introduction	7
Unpacking	7
Initial Check-out Procedure	7
Installation Procedure	12
Location	12
Mounting	12
Site Preparation	12
Peripheral Equipment	13
Cabling	13
Power	13
Alarm Relay	14
Peripherals	14
Input Circuits	14
CWR-CS Current Sensor	15
Applying Power	15
Setup Procedure	15
User Interface Conventions	16
Logging On	16
Commands and Fields	16
Data Flow Control	17
Main Menu	18
Setup (S)	18
Time/Date (T)	18
Reset System (R)	19
System Parameters (S)	21
Detect Times/Flash Enable (D)	24
Global Detect Time (G)	26
Analog Configuration (A)	26
Timer Inputs (W)	29
Event Names (E)	30
Input Names/Identifiers (I)	31
Virtual Inputs (V)	32
Measure Speed (M)	35

Print Setup Data (P)	37
Transfer Files (T)	38
Saving the Setup Database (D)	38
Restoring the Setup Database (U)	40
Log Off (X)	41

CHAPTER 3 OPERATION

Introduction	43
Multi-User Operation	43
Remote Operation	43
Establishing a Modem Connection	43
Entering the Password	44
How to Operate the CWR-72	44
Query Events (Q)	44
Start Time	46
End Time	46
Record Details	46
Reverse Order	47
Report Type	47
Inputs	49
View Events (V)	50
Record Details	50
Output To	50
Inputs	51
Live Status (L)	51
Measure Flash Rate (M)	52
Event Record Formats	53
No Details	54
Virtual Details	54
Digital Details	55
Analog Details	55
All Details	56
Symbol Legend	56
X (upper-case)	56
x (lower-case)	56
: (colon)	56
. (period)	57
* (asterisk)	57
! (exclamation mark)	57
= (equals sign)	57
(blank)	57

CHAPTER 4 DISPLAY AND KEYPAD

Introduction	59
Front Panel Description	59
Liquid Crystal Display	59
Keypad	59
How to Use the Keypad	60
Idle Mode	60
Event Record Format	60

Printing Records While in Idle Mode62
Browse Mode63
Event Records64
Input Status66
Flash Rate67
Setup Mode68
Alphanumeric Editing Procedure69
Clock70
Dst71
CSync71
UName72
ENames72
INames73
Analog73
Virtual74
DTime76
GDTime77
Timer77
TLimits78
PCode78
Modem - optional79
Baud79
Speed80
Print81
Diag81
RESET83
CHAPTER 5 MAINTENANCE	
Introduction85
Adjusting the LCD Contrast85
Working Inside the Recorder85
Analog Input Switches (SW1)86
Installing the Optional Modem86
Replacing the Fuses87
Reconnecting the Internal Cables87
Diagnostic Testing88
Checksum Test Program Memory (C)88
Flash Memory Test (F)89
Modem Test (M)89
Keypad Test (K)89
Relay Test (R)90
Temperature (T)90
System Events91
Upgrading the Firmware92
HyperTerminal93
Procomm Plus94
Trouble-shooting Guide94
APPENDIX A TECHNICAL DATA	
Specifications97

Terminal Port Cable 99

APPENDIX B OPTIONS AND ACCESSORIES

APPENDIX C CWR-CS CURRENT SENSOR

Introduction 103
Key Features. 103
Installation and Setup 103

APPENDIX D BILLS OF MATERIAL

CWR-72 Bill of Material. 105
 CWR-72 Subassemblies 106
 PA85-0067/00 Processor PCB. 106
 PA85-0068/00 I/O PCB 109
 PA85-0066/00 Keypad PCB. 109
 PA85-0106/00 Modem PCB. 110
CWR-CS Bill of Material 111
 CWR-CS Subassemblies 112
 PA85-0038/00 Quad Current Sensor PCB 112

GENERAL DESCRIPTION

Introduction

Since 1988 MICRO-AIDE has provided the rail signal industry with a broad range of Event Recorders that vary significantly in capacity, size and features. The MICRO-AIDE Crossing and Wayside Recorder Model CWR 72, hereinafter referred to as the CWR-72, provides its user with the most comprehensive set of features of any recorder presently available. It is a companion product to the smaller CWR-22XL and CWR-56 and larger CWR-264E recorders. Its mid-range capacity makes it ideally suited for use in small interlocking and control point applications.

The CWR-72 is equipped with 64 Digital Inputs. Additionally it is equipped with seven general purpose Analog Inputs. An eighth Analog Input monitors the power input voltage. Unlike other systems, the use of Analog Inputs does not reduce the number of available Digital Inputs. The Analog Inputs can be used to monitor both DC and AC signals such as battery levels, commercial power voltages or relay coil voltages. Analog DC and AC currents can be monitored by using the CWR-CS Current Sensor. MICRO-AIDE's Failed Lamp Detector (FLD-2) can be used in conjunction with the CWR-72 to detect burned-out bulbs in wayside facilities. The internal temperature of the recorder is also measured and reported as an analog value.

Sixteen Virtual Inputs allow the user to create Event Records based upon a specific logical association of several physical inputs (both analog and digital). The Virtual Input feature can be very useful in analyzing failure conditions or in creating alarm indications. Tedious and confusing site specific profiles are not required when using the Virtual Input feature.

The 32 Timer Inputs of the CWR-72 can be used to measure and report the elapsed time between any two events. As an example, the duration of a relay operation, the time between two relay events or the occurrence of an Analog Input event and a relay event can be reported. Additionally, separate Low and High Limit Values can be assigned for each timer. An event occurrence that is too fast or slow when compared to the Limit Values is identified in a Timer Input Event Record.

Every CWR-72 comes equipped with a built-in keypad and display screen located on the front panel. This allows the user to effectively operate the recorder without additional peripheral devices. However, each recorder will support applications that require file storage of Event Records. An RS-232 port is provided that can be connected to the communications port of any personal computer. The PC is then used to retrieve, store and review Event Record data of interest to the user. The PC can also be used to set up the recorder. A parallel printer port is provided. Connecting a standard inkjet or laserjet printer to the port allows hard copy printing of important data while on site.

An optional 33,600 Baud internal modem can be installed that allows the user to remotely access and operate the recorder. A standard phone line connection allows the user to gather critical Event Records from any location, however distant. The modem can also be used to provide dial-out alarm reporting to a maintenance facility.

All MICRO-AIDE rail signal products, including the CWR-72 Event Recorder, are designed to be easy to use and maintain. Each design is based upon the premise that value and reliability start with attention to detail and a concern for usability rather than needless complexity. Our goal in creating these recorders was to provide the rail signal industry with an instrument maintainers and signal technicians will find easy to operate long after the recorder has been installed and set up.

Key Features

Listed below are just a few of the many features included with every CWR-72 Event Recorder.

- The standard storage capacity is 123,040 Event Records (expandable to a maximum of 246,336 records).
- Event Records can be logged for 128 distinct days.
- Event Records are stored in Flash Memory devices that do not require a battery power source. Records are retained even if power is removed.
- Setup data and Event Record data can be easily and quickly transferred to a PC file.
- Relay signals in the range from 5 to 40Vdc can be sensed by the Digital Inputs.
- Both positive and negative voltages can be sensed.
- Attaching the recorder to an event generating circuit is completely non-intrusive to the circuit. This is ensured by the high impedance nature of the design. Each Digital Input utilizes opto-isolation technology to provide ground isolation of at least 3800Vdc.
- Every Event Record includes a measurement for each of eight Analog Inputs.
- Analog Inputs can range from 51.1V (.1V scale) to 255V (1V scale), DC or AC.
- Analog Inputs are tested against separate Low and High Limit Values that are assigned by the user. Crossing either Limit Value will create an Event Record.
- Current levels as great as 25.5Adc or Aac can be monitored by using the optional CWR-CS.
- Excessive train speed can be reported by use of the Train Speed Monitor feature. Speed violations are reported in the form of Event Records that are saved to memory.
- Four separately programmable Train Speed Monitors can be employed.
- The FLD-2 Failed Lamp Detector can be used at crossings to detect burned-out bulbs.
- Event Detection Times can be set by the user on an input-by-input basis. Default values are provided as an aid to the user.

- Event Detection Times can be set to a hundredth of a second (.01 seconds) to capture fast, electronically generated control signals.
- Events satisfying the Detection Time criteria are date and time stamped to the nearest hundredth of a second.
- The real-time clock used by the recorder can be synchronized to an external signal connected to a spare Digital Input.
- The real-time clock can be enabled for automatic Daylight Saving Time (DST) adjustment.
- Flashing signal events are detected.
- The flashing rate of a circuit can be precisely measured and reported.
- Thirty-two Timer Inputs can be programmed to measure and report the elapsed time between any two events.
- Each Timer Input can be assigned separate Low and High Limit Values.
- Time measurements that satisfy or violate the Limit Values are reported as either nominal or violation records, respectively. In either case, the measured time is always listed in the Event Record for the Timer Input.
- Sixteen Virtual Inputs can be programmed to create Event Records that identify alarm or fault conditions of special interest to the user.
- Installation is quite simple. Input wires are terminated in detachable, screw-down terminals. Wire sizes as large as 12AWG can be used.
- Power consumption is typically less than 6W. A 10 to 36Vdc power source can be used to power the recorder.
- The internal temperature of the recorder is measured and reported.
- The user interface provides full cursor control when using a PC.
- Three distinct levels of password security provide protection against unauthorized access.
- Several diagnostic commands can be executed to verify important system operations.
- Remote access to the recorder is supported by use of the optional 33,600 Baud internal modem.
- Firmware updates can be downloaded to the recorder directly from the MICRO-AIDE factory when the CWR-72 is equipped with the optional internal modem.
- MICRO-AIDE's GEA (Graphical Event Analyzer) software is fully compatible with the CWR-72. GEA can be used to poll, save, review, plot and analyze Event Record data.

CWR-72 versus Model 48D

The CWR-72 is a worthy successor to MICRO-AIDE's highly regarded Model 48D Event Recorder. However, the CWR-72 includes many advanced features not found in the Model 48D. Users may wish to review the following points of comparison.

- The internal lithium battery that powers the non-volatile RAM and real-time clock used by the Model 48D has been removed. The CWR-72 Setup Database and Event Records are stored in one or more Flash Memory chips that do not require a battery. A large capacitor now provides uninterrupted power to the clock.
- The CWR-72 includes sixteen additional Digital Inputs.
- The standard Event Record capacities are 123,040 versus 27,844.
- Event Records from 128 days (rather than 30) can be stored.
- The real-time clock can be synchronized to an external signal that is wired to a Digital Input.
- The Model 48D is not equipped with Analog, Virtual or Timer Inputs.
- Dial-out alarms cannot be issued by the Model 48D.
- The CWR-72 includes two relay outputs.
- Excessive train speed can be reported by the CWR-72.
- The flash rate of a signal can be measured and reported by the CWR-72.
- The Event Record memory and Setup Database in the CWR-72 can be erased separately.
- A significantly more powerful 25MHz, Intel 386EX processor is used by the CWR-72.
- An inkjet or laserjet printer can be directly connected to the CWR-72.
- Firmware updates to the CWR-72 can be data transferred (EPROMs are not required).
- The LCD of the CWR-72 can display 80 characters, twice that of the Model 48D.
- The front panel keypad contains four additional keys.

About this Manual

This document is intended to provide the user with comprehensive, easy-to-read instructions on how to install, set up, operate and maintain the MICRO-AIDE CWR-72 Event Recorder. This document refers to Version 3.03 of the firmware. Specifically, the sample data and command details depicted were prepared using a Version 3.03 recorder. Wherever possible, step-by-step instructions have been included. In the event the user has questions about any of the described procedures the user should contact MICRO-AIDE for assistance. Additional copies of this manual are available upon request.

MICRO-AIDE CORPORATION

685 Arrow Grand Circle

Covina, CA 91722

Tel: 626-915-5502 Fax: 626-331-9484

E-mail: support@micro-aide.com

Note The MICRO-AIDE Material Return and Limited Warranty policies can be found on the inside back cover of this manual.

Version 3.03 Firmware

The following features have either been introduced or modified as the result of firmware Versions 3.00 through 3.03.

- The Daylight Saving Time schedule has been changed to the March/November schedule.
- Thirty-two Programmable Timer Inputs have been introduced. The Timer Inputs can be used to time between any pair of events. Additionally, each Timer Input can be assigned separate Low and High Limit Values.
- The number of available Train Speed Monitors has been increased from one to four.
- The number of bytes required per Event Record has increased from 16 to 17. As a result the number of Event Records saved by the standard memory configuration has decreased from 130,752 to 123,040.
- The real-time clock can be adjusted automatically for DST. This feature can be enabled or disabled at the discretion of the user. If enabled, the clock will be corrected on the first Sunday of April and the last Sunday of October at 2:00 AM.
- The Event Record formatting has been modified. It is now consistent with the formatting used by the CWR-22XL, CWR-264, CWR-264E and CWR-264XC Event Recorders.
- Upon initialization the firmware limits the ring count to eight.
- The sampling of Analog Inputs has been changed to avoid a problem when the Detect Times of Digital Inputs are set to zero.

INSTALLATION AND SETUP

Introduction

This chapter describes how to properly unpack, install and set up the CWR-72 prior to operation. It is advisable to review the Unpacking, Initial Check-out and Installation sections before actually performing the procedures described in this chapter.

Unpacking

Each CWR-72 is packed in a shipping carton that is properly sized for the recorder. Abundant packing materials are provided to minimize mechanical shock to the contents. Before opening the carton inspect it for damage. Damage to the carton should be noted. Carefully remove the recorder. It is advisable to save all packing materials in the event the recorder ever needs to be returned to MICRO-AIDE.

Inspect the recorder for visual damage. It should not be scratched, dented or deformed in any way. If it appears the recorder was damaged in shipment the responsible carrier should be notified immediately. MICRO-AIDE will assist the user in filing a claim in the event damage was sustained during shipment.

Initial Check-out Procedure

Before the CWR-72 is installed at a signal facility it is recommended that an operational check of the recorder be performed. The following materials are required as a part of this procedure.

- 12Vdc power source.
- Common hook-up wire for power and testing inputs (12 to 22 AWG).
- Wire strippers and small, flat-head screwdriver.
- PC equipped with a communications program (e.g., HyperTerminal® or Procomm Plus®) set to operate at 38,400 Baud.
- Digital Voltmeter (DVM).

Perform each step in the sequence listed below. If a problem arises, refer to the section entitled “Trouble-shooting Guide” on page 94. Figure 1 on page 8 and Figure 2 on page 9 illustrate a typical CWR-72 installation.

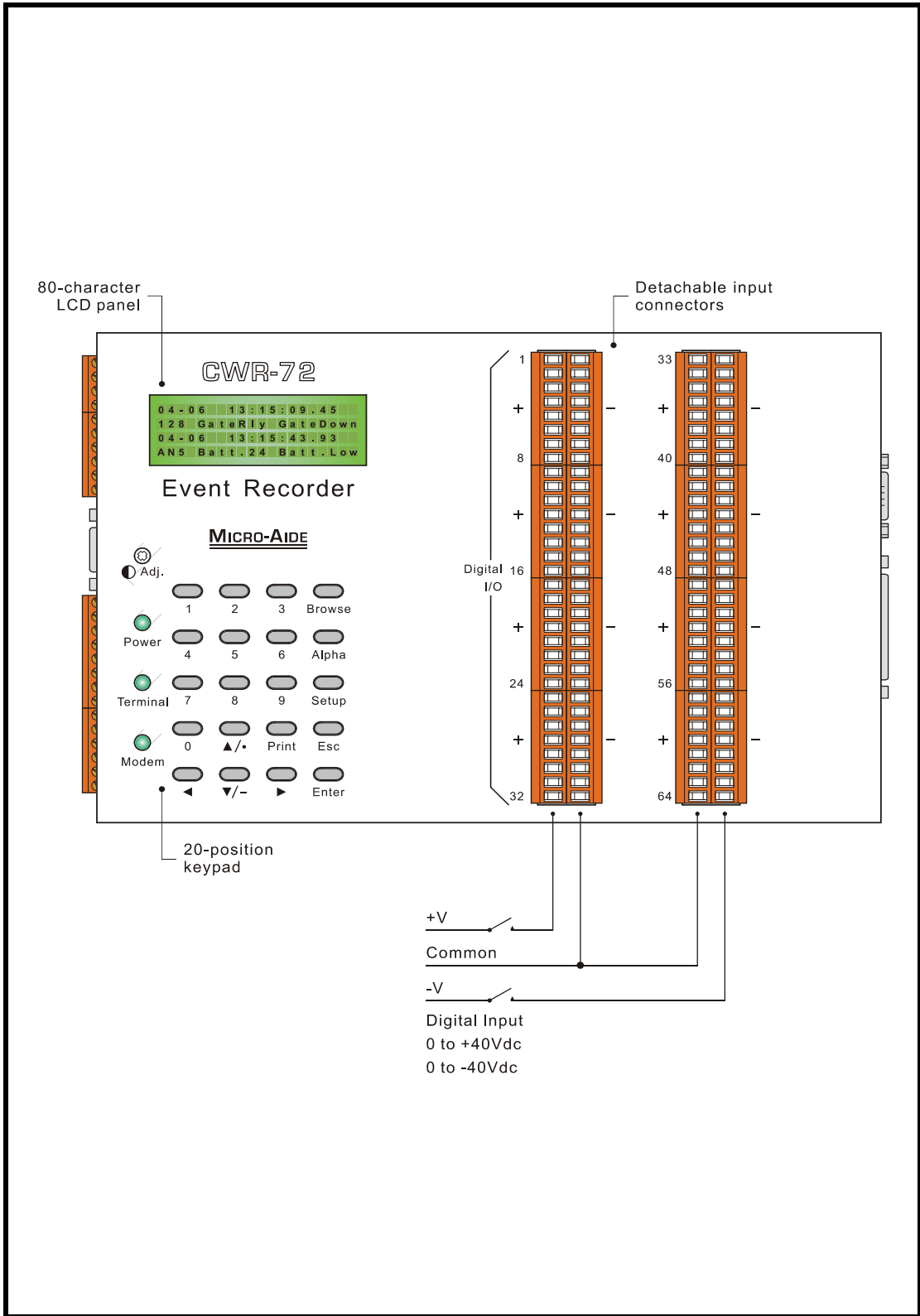


Figure 1 - Typical Installation - Front Panel View

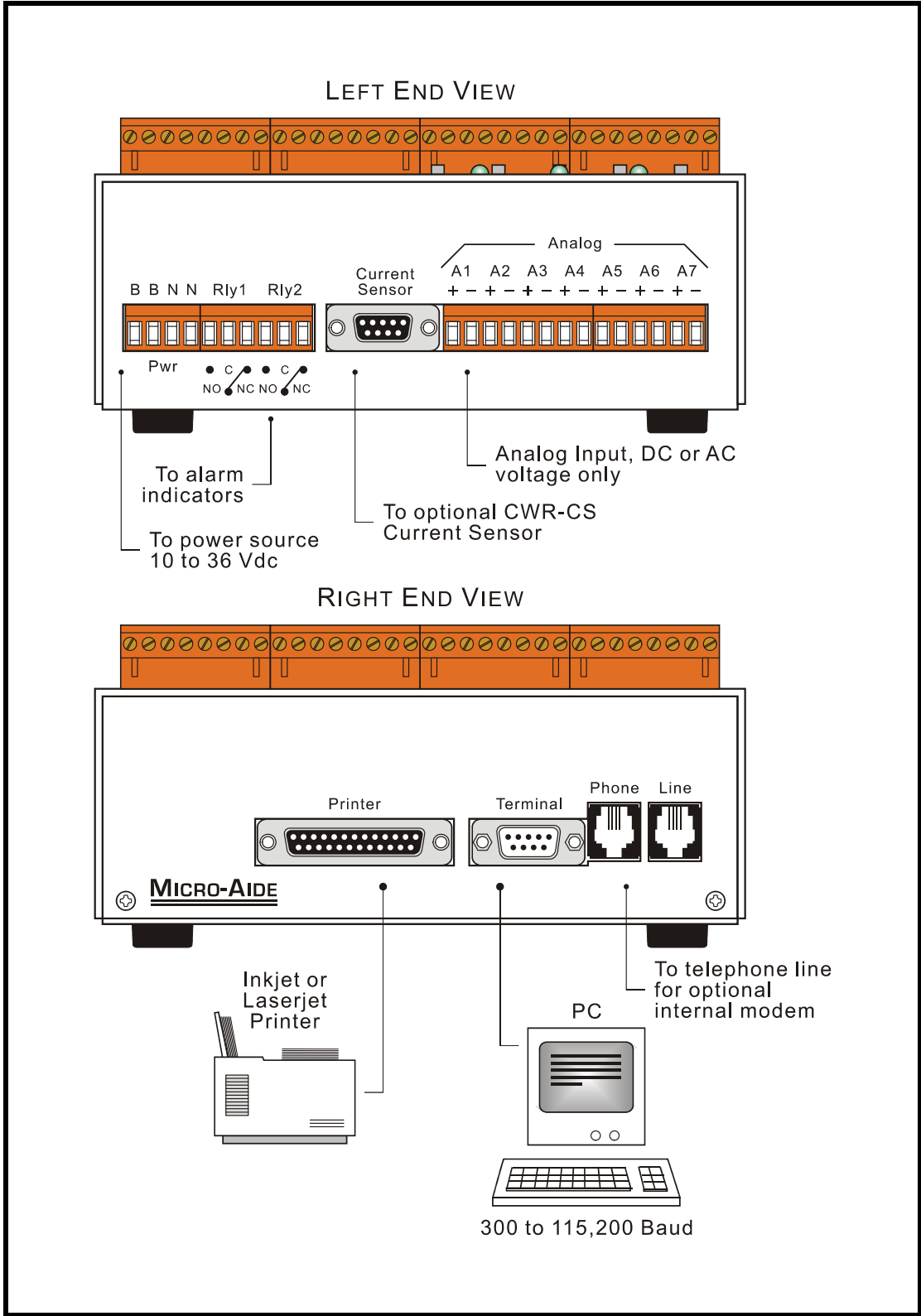


Figure 2 - Typical Installation - End Panel Views

1. With the power off, connect the power source positive and negative conductors to either pair of screw terminals labeled “B” and “N”, respectively. They are located along the left end panel of the recorder.
2. Connect the PC to the DE-9 male connector labeled “Terminal”. Use the cable provided by MICRO-AIDE or a DE-9 to DE-9 straight-through cable. Figure 7 on page 99 illustrates the proper wiring of the cable.

Caution Do not attempt to connect the PC to the female DE-9 connector labeled “Current Sensor”. Damage to the recorder may result.

Note The factory default setting for the Terminal Port is 38,400 Baud. Refer to the procedure entitled “Terminal Port Baud Rate” on page 22 for details on changing the Baud rate.

Note The CWR-72 requires no parity, 8 data bits and 1 stop bit (i.e., N-8-1).

3. Set the PC to emulate an ANSI terminal by doing one of the following:
 - If HyperTerminal is being used click on the File, Properties command. Select the Settings tab. Enable Terminal keys. Select ANSI from the Emulation drop-down list box.
 - If Procomm Plus is being used the ANSI BBS setting should appear in the lower left-hand corner of the Procomm Plus window. If the correct setting does not appear click on the current setting, then select ANSI BBS from the pop-up menu.
4. Apply power to the PC. Ensure that the communications program is set for a direct connection to the appropriate communications port.
5. Apply power to the CWR-72. The LED labeled “Power” located on the front panel should illuminate. After a few seconds the date and time should appear on the Liquid Crystal Display (LCD). The date and time may need to be changed. The procedure for changing the date and time is described in the section entitled “Time/Date (T)” on page 18.
6. Shortly after power is applied the PC will display the following message.

```
Micro-Aide CWR-72/264 Flash Boot Loader  
Press ESC for boot loader
```

Caution The preceding message should be ignored. Do not press the **Esc** key. The user must wait several seconds for the CWR-72 program to load into executable memory.

7. After the program is loaded the following password challenge will be displayed.

```
Model CWR-72 Event Recorder. Ver 3.03 (C) 2006 MICRO-AIDE Inc.  
***** NOT SET *****  
Event storage capacity: 123040  
Enter password:
```

Password Request

8. If the recorder fails to display the password request, check the power and peripheral connections and Baud rate and communications settings. If the problem can be isolated to the CWR-72 contact MICRO-AIDE customer service for instructions on how to proceed.

Note Repair and return policies are described on the inside back cover of this manual.

9. The remainder of the Initial Check-out Procedure presumes the recorder is configured to operate with the factory default settings and Event Records have not been logged into memory. If this is not the case the user may wish to reset the recorder. Refer to the section entitled “Reset System (R)” on page 19 for details.
10. From the PC’s keyboard type **PASSWORD** in upper-case letters. This is the default password. Complete the entry by pressing the **Enter** key. The Main Menu, shown below, will be displayed.

```

MICRO-AIDE CWR-72 Event Recorder

S Setup
L Live Status
Q Query Events
V View Events
M Measure Flash Rate
T Transfer Files
D Diagnostics
X Log Off

```

Main Menu

11. Using a short pair of stripped jumper wires place +12Vdc and negative to Digital Input number 1. Refer to the silkscreened labels located near the input terminals. Positive voltage should be placed on the terminal to the left and negative voltage on the right. The voltage must be held for at least three seconds before proceeding.
12. Use the same procedure described in the previous paragraph to test additional Digital Inputs.
13. Perform a Query of the Event Records by pressing **Q** at the PC keyboard. Select today’s date and then press **Enter**. Finally, press the **F1** function key. Refer to the section entitled “Query Events (Q)” on page 44 for additional details.
14. Verify that an Event Record is reported for each Digital Input tested. Note any inputs not displayed and test the inputs again, being careful to hold the voltage for at least three seconds. A second Query should verify the retested inputs.
15. Press the **ESC** key once to return to the Main Menu. Press the **L** key. The CWR-72 will now display the real-time status of Digital and Analog Inputs.
16. Connect the 12Vdc positive and negative test leads to the two inputs of Analog Input A1.
17. Verify the Analog Input reading for A1 is within .15Vdc of the correct reading. The correct polarity of the applied voltage should also be indicated.
18. Repeat the previous two steps for the remaining six Analog Inputs.

19. Verify that the voltage reported by Analog Input A8 accurately reflects the power supply voltage applied across the B and N power terminals.
20. Before completing the Initial Check-out Procedure verify the LCD is providing acceptable contrast. If it needs to be improved adjust the potentiometer accessible via the small hole in the front panel labeled “Adj”. Refer to the section entitled “Adjusting the LCD Contrast” on page 85.

This concludes the Initial Check-out Procedure. This procedure may be used at any time to verify that the CWR-72 is operating properly. Power can now be removed from the recorder. Connections to the PC should also be removed.

Note In the event that a failure occurs during any part of this procedure a series of diagnostic tests should be performed. Refer to the section entitled “Diagnostic Testing” on page 88. Alternatively, the user may wish to contact MICRO-AIDE customer service. Instructions on how to proceed will be offered. Material Return and Limited Warranty policies are described on the inside back cover of this manual.

Installation Procedure

The following sections describe the recommended Installation Procedure. Figure 1 on page 8 and Figure 2 on page 9 illustrate elements that are common to most installations. The illustrations also depict the location of each connector used in the installation.

Location

The location where the CWR-72 is to be installed should comply with a few simple requirements. The ambient temperature near the recorder should be in the range from -40°C to 72°C.

Mounting

The CWR-72 can be mounted on top of a suitable shelf or secured to a back board. Each recorder is equipped with non-slip, rubber feet. Precautions should, however, be taken to prevent the recorder from dropping off the edge of the shelf or desktop. The shelf mounting brackets provided with the recorder can be used for this purpose. To attach the shelf mounting brackets remove the four rubber feet. The threaded holes vacated by the rubber feet are used to install the brackets. If a PC is to be used it must be properly secured.

Note Contact MICRO-AIDE in the event 19" rack mounting brackets are required. Refer to Appendix B for ordering details.

Site Preparation

The equipment location must have access to a stable 10 to 36Vdc power source. A pair of wires must be run from the power source to the location where the recorder will be mounted. The

CWR-72 wire ends must be stripped approximately 1/4". The stripped ends will be secured by screw-down terminals located along the left end panel of the recorder. One wire must be connected to the positive voltage of the power source and the other wire must be attached to the return of the power source. The screw-down terminals will accept wire sizes as large as 12AWG. The two wires must be properly secured to prevent damage. It is preferable not to run the wires adjacent to electrical equipment such as motors that may generate large electrical disturbances.

The Digital and Analog Inputs use the same screw-down terminals as those required by the power leads. Each wire should be tagged with its circuit identity. Each input cable or wire bundle should be secured to prevent damage to the connections at either end.

The CWR-72 can be programmed to issue an alarm indication signal. Two form C relays with normally closed and normally open sets of contacts are available at the connector where power is attached to the recorder. Each set of contacts is rated for 2A_{dc} at 24V_{dc} and 1A_{ac} at 125V_{ac}. The relays can be used to control an external light or warning device.

Peripheral Equipment

If a PC or printer is to be co-located with the CWR-72 an appropriate AC power source must be available. The Terminal Port and printer cables should be kept to a minimum distance, preferably less than 20'. MICRO-AIDE provides, as a standard feature, an RS-232 DE-9 to DE-9 cable. This cable is suitable for use with most PCs. In the event a DE-9 to DB-25 cable is needed either contact MICRO-AIDE or purchase a DE-9 to DB-25 converter at any computer supply store. The cable from the printer to the Printer Port is supplied with the printer.

Caution Each recorder is shipped with a MICRO-AIDE recommended RS-232 cable. The recommended cable ensures that the connector bodies are not electrically attached. **The shield wire is not attached.** The cable is constructed in such a way that the recorder chassis and peripheral device are electrically isolated. This further improves the isolation properties of the system.

If the CWR-72 is equipped with the optional internal modem a standard telephone line must be attached to the recorder. The telephone line must be terminated with an RJ-11 connector like those commonly used in residential telephone service. Test the telephone line first to ensure that a dial tone is available.

Cabling

Follow the steps listed below to complete the cabling installation.

Power

1. Ensure that the power is off at the power source.
2. The two wires from the power source must be secured to either pair of screw-down terminals labeled "B" and "N", respectively.
3. Connect AC power to the PC and printer (as required).

Tip The power, input and alarm relay wires all terminate in screw-down connectors that are detachable. The cable installation can be performed more easily if the female connectors are first detached from their male halves that remain secured to the CWR-72 circuit board.

Alarm Relay

1. Wire the alarm indicating device or circuit to the appropriate relay terminals labeled “C”, “NO” or “NC” (i.e., common, normally open, normally closed, respectively).

Peripherals

1. Attach the peripheral cable to the DE-9 male connector labeled “Terminal”.
2. Attach the printer cable to the DB-25 female connector labeled “Printer”.
3. Connect the optional telephone line to the RJ-11 connector labeled “Line”.

Input Circuits

Events will only be recorded if the input circuits are wired properly to the CWR-72. The correct polarity of Digital and Analog Inputs must be identified.

Digital Input circuits are typically wired to eight-position, detachable connectors. Individual pairs are wired horizontally to adjacent terminals. The positive lead of the digital circuit to be monitored must be connected to the left side terminal labeled “+”. The common, or return, lead of the digital circuit must be connected to the right side terminal labeled “-”.

Positive and negative voltages can be monitored by a Digital Input, even if they occur from the same circuit. In such cases the circuit is wired to two inputs of the recorder, one for each polarity. Figure 1 on page 8 illustrates how to connect negative voltage circuits.

Analog Inputs are wired somewhat differently than Digital Inputs. The seven external Analog Inputs terminate in separate connectors along the left end panel of the recorder. They are labeled as inputs “A1” through “A7”. The connector that is used is detachable and also uses a screw-down terminal method for anchoring each wire.

Note Event Records will indicate positive and negative polarities for each Analog Input.

The user may wish to verify the proper operation of each input. The “Initial Check-out Procedure” on page 7 should be used to identify any faulty input wiring.

Jumper Combs

As an aid to the installer each CWR-72 is provided with several Jumper Combs (Weidmuller part number 147250). Each Jumper Comb allows ten adjacent screw-down terminals to be connected together. Unwanted points may be removed by cutting them or bending them away from the detachable connector.

CWR-CS Current Sensor

The optional CWR-CS Current Sensor is an accessory that can be used to monitor DC and AC current flow through various lamp and control circuits. It is designed to provide a completely passive, non-intrusive method of measuring current. As many as four circuits are monitored by the CWR-CS.

The CWR-CS utilizes Analog Inputs A1 through A4 of the recorder. Among these inputs, any combination of voltage and current inputs not exceeding four total is permitted. If an Analog Input is to be used to monitor a current signal the voltage source to that input must be disconnected. The disconnection is required to prevent a conflict between the voltage input and current signal from the CWR-CS. The proper procedure for assigning an Analog Input to the CWR-CS involves changing one to four switch settings on the CWR-72 printed circuit board. Refer to the section entitled “Analog Input Switches (SW1)” on page 86 for additional details.

Caution Never attach the CWR-CS to the CWR-72 without first disconnecting the Analog Inputs. This will prevent placing an interfering signal on the analog circuit that is attached to the CWR-72.

Applying Power

Once the cabling is installed the power can be applied. Shortly after power is applied the PC will display the password request. Refer to the sample data labeled “Password Request” on page 10. After the initialization sequence is completed the front panel LCD will indicate the time and date.

This completes the CWR-72 Installation Procedure. The Setup Procedure can now be started.

Setup Procedure

Before the CWR-72 is ready for use the recorder must be configured to reflect the operation required by the user. The following steps should be performed in the sequence listed. It is assumed that the user is accessing the CWR-72 via a PC. Succeeding chapters describe how to use the front panel display and keypad, as well as access the recorder via the optional internal modem. It is further assumed that the user has not previously altered any of the factory default settings and that the PC is connected to the Terminal Port of the CWR-72.

Note The Terminal Port default settings are 38,400 Baud, no parity, 8 data bits, 1 stop bit (i.e., N-8-1).

The Setup Procedure involves several steps that permit the user to program a variety of parameters that will best suit the user’s recording requirements. Each step involves the selection and execution of a particular command. Before the actual programming is performed the user should be aware of several conventions employed by the CWR-72 user interface.

User Interface Conventions

Logging On

User sessions are initiated only after the log-on procedure is completed. To log on the user must enter the correct password in response to the password challenge. A typical password challenge message is shown in the sample data labeled “Password Request” on page 10.

Note The factory default password is **PASSWORD** in upper-case letters.

Complete the password entry by pressing the **Enter** key. The Main Menu will be displayed after the correct password has been entered. The user is allowed three password attempts.

Commands and Fields

The CWR-72 user interface allows commands and parameter fields to be easily and quickly selected. Commands are listed vertically in a menu. Some commands direct the user to sub-menus containing additional commands (e.g., Setup command). Fields allow the user to either select or enter parameter values. A specific field is always uniquely associated with a particular command.

To select a command from a menu or a field within a command simply move the rectangular highlight to the location of the desired command or field. Pressing the appropriate arrow keys located on the PC keyboard will move the highlight. The left, right, up and down arrow keys may be used in any sequence to position the highlight.

To execute a command that has been previously selected (i.e., highlighted) simply press the **Enter** key. Alternatively, the command may be executed by pressing the single letter code listed to the left of the command. Upper- and lower-case letters may be used. Every command listed in a menu has a distinct single letter code that permits immediate execution of that command.

Working with Fields

The CWR-72 utilizes two types of fields. Selection Fields allow the user to select a parameter from a list of predefined values (e.g., Terminal Port Baud rate). Edit Fields can be set to any alphanumeric value desired by the user (e.g., Unit Name).

To change the value of a Selection Field simply press the **Spacebar** on the PC keyboard. The next value from a predefined list of values will be displayed each time the **Spacebar** is pressed. The first value in the list will automatically follow the last value.

Input Names, Detection Times and Limit Values are examples of parameters that are defined by Edit Fields. After the desired Edit Field is highlighted the user may type any combination of alphanumeric characters appropriate to the field. The initial value of the field is completely removed after typing the first character. Consequently, it is not necessary to delete each character that comprises the initial value. Errors in typing can be corrected by using the **Backspace** key. At any time while editing a field the user may press the **Esc** key and thereby restore the field to its previous value.

Upper- and lower-case letters may be used. Limit values are assigned negative values by preceding the numeric entry with a minus sign. Numeric values that exceed the range of the field are automatically set to the maximum or minimum value (as appropriate) permitted by the range.

To accept the new value assigned to an Edit Field the user can either press the **Enter** key or move the highlight to a new field. The initial value of an Edit Field cannot be restored after the new value has been accepted. When all of the fields contain values suitable to the user the command may be completed.

Note Once a field has been accepted by pressing the **Enter** key or moving the highlight it may, depending upon the command, be programmed into the recorder as an updated operating parameter. Accordingly, the acceptance may occur before completion of the command.

Completing Commands

Generally, commands are completed by pressing the **Esc** key. However, pressing the **Esc** key will not complete the command if the user is in the process of editing a field. Pressing the **Esc** key prior to accepting the new value will instead restore the highlighted field to its previous value. To complete a command that requires pressing the **Esc** key, first accept the contents of the last Edit Field by pressing the **Enter** key or moving the highlight to another field.

Some commands are completed by responding to a choice listed in a Selection Field (e.g., No or Yes). In these cases the command is completed by highlighting the desired choice and then pressing the **Enter** key. Pressing the **Esc** key is the equivalent of selecting the default choice (generally the No option). As a rule of thumb, executing the No option will abandon any field changes made prior to the completion.

Other commands are completed by pressing the key described in a prompt message displayed with the command. Prompts are frequently listed with commands as an aid to the user. After the command is completed the user will be returned to the menu that was previously displayed.

Data Flow Control

Several of the setup and operational commands can generate considerable amounts of displayed data. If the user wishes to observe this data on the screen of a PC it may be helpful to temporarily pause the data stream being sent by the recorder. The Pause and Resume commands may be used to provide the required data flow control.

To Pause the data being sent press the **Ctrl** and **S** keys simultaneously. The data flow will be stopped indefinitely. To Resume data flow press the **Ctrl** and **Q** keys simultaneously. This technique can be used to freeze the data at the PC.

Another useful command is the Abort command. At any time during a lengthy data dump the remaining data can be ignored or aborted by pressing the **Esc** key. The user can then issue another command immediately after the Abort is executed rather than wait until the lengthy data dump is completed.

Main Menu

The Main Menu of commands will be displayed immediately after logging on. Refer to the sample data labeled “Main Menu” on page 11. The Setup Procedure described in this chapter will familiarize the user with the Setup, Transfer Files and Log Off commands listed in the Main Menu.

For the remainder of this chapter the Setup, Transfer Files, Log Off commands and their numerous sub-commands will be described in the sequence recommended by MICRO-AIDE for their execution as part of the Setup Procedure. Each command will be identified by its name as listed in the menu where it resides. The single letter code that executes the command will be listed in parenthesis. The Setup Procedure commences with the execution of the Setup command listed at the top of the Main Menu.

Setup (S)

The following menu of sub-commands will be displayed after executing the Setup command.

```
Setup Menu
T Time/Date
E Event Names
I Input Names/Identifiers
D Detect Times/Flash Enable
G Global Detect Time
A Analog Configuration
V Virtual Inputs
W Timer Inputs
M Measure Speed
S System Parameters
P Print Setup Data
R Reset System
```

Time/Date (T)

The CWR-72 time stamps all Event Records. Therefore, the correct time and date must be set. The recorder will automatically account for leap year. The recorder’s clock circuitry will continue to keep time even if power is interrupted for a prolonged period.

To change the time or date execute the Time/Date command. The sample data listed below shows a typical response to the Time/Date command.

```
Time/Date
HH:MM:SS
Time: 13:00:18
MM-DD-YY
Date: 04-06-06 Thursday
```

The highlight may be moved to the hour, minute or second time fields or month, day or year date fields. The CWR-72 utilizes a military-style clock. Accordingly, 12:01:02 AM is defined as 00:01:02

and 12:59:58PM is defined as 23:59:58. Leading zeros are not required. The day of week is displayed automatically as determined by the date selected by the user.

The clock of the CWR-72 can be synchronized to an external source that is connected to a Digital Input. Refer to the section entitled “Clock Sync Input” on page 24.

The real-time clock can be automatically adjusted for Daylight Saving Time (DST). Refer to the section entitled “Daylight Saving Time” on page 24.

Tip If the clock cannot be synchronized to an external source MICRO-AIDE recommends that the clock be set at least once per week.

To complete the command press the **Esc** key. The user can then accept or abandon the changes.

Reset System (R)

The Reset System command can be used at any time to restore the recorder to its factory default settings. The command can also be used to clear previously logged Event Records. This step is listed as part of the Setup Procedure since it can be useful in restoring the recorder to a known state consistent with this documentation. Additionally, any programming or Event Records created as a part of the Initial Check-out Procedure will be erased.

Note The time and date settings are not affected by the Reset System command.

The following menu will be displayed after executing the Reset System command.

```

Reset System
S Reset Setup Data
E Reset Event Memory
B Reset Both
    
```

Each command is described in the sections that follow.

Reset Setup Data (S)

The CWR-72 utilizes two non-volatile memories. The first is referred to as the Setup Database. The Setup Database contains all of the programmed parameters established by the user. These parameters can be restored to their factory default values by executing the Reset Setup Data command. Table 1 lists the default values for each of the programmable parameters.

Parameter	Default Value
Unit Name	***** NOT SET *****
Terminal Port Baud Rate	38,400
Administrative Password	PASSWORD
Restricted Password	LOOKWORD
Passcode	12345678

Table 1 - Factory Default Settings

Ring Count	2
Primary Dial Number	(none assigned)
Secondary Dial Number	(none assigned)
Clock Sync Input	--- (none assigned)
High Temp Limit	257°F
Low Temp Limit	-67°F
Daylight Saving Time	Enabled
Digital Input Names	Digital Input 01, Digital Input 02, etc.
Analog Input Names	Analog Input 01, Analog Input 02, etc.
Virtual Input Names	Virtual Input 01, Virtual Input 02, etc.
Timer Input Names	Timer 01, Timer 02, etc.
Digital Input Identifiers	DInput01, DInput02, etc.
Analog Input Identifiers	AInput01, AInput02, etc. Battery for A08
Virtual Input Identifiers	VInput01, VInput02, etc.
Timer Input Identifiers	Timer01, Timer02, etc.
On Event Names	On (pairs 1-15), Violate (pair 16)
Off Event Names	Off (pairs 1-15), Nominal (pair 16)
Assigned Event Name Pairs	1, 16 for Timer Inputs
Digital Input Detection Times	3.00 seconds
Digital Input flash statuses	No (disabled)
Analog Input Ranges	±25.5Vdc (+51.1Vdc for A08)
Analog Input Filter speeds	Slow
Analog Input Low Limits	-25.6Vdc (0Vdc for A08)
Analog Input High Limits	25.5Vdc (51.1Vdc for A08)
Timer Input Low Limits	--- (none assigned)
Timer Input High Limits	--- (none assigned)
Virtual Input Variables	--- (none assigned)
Virtual Input relay controls	No (disabled)
Virtual Input modem control	No (disabled)
Train Speed, First Sensor Input	--- (none assigned)
Train Speed, Second Sensor Input	--- (none assigned)
Train Speed, Distance Between Sensors	0 feet
Train Speed, Threshold	0mph
Flash Rate Input	(last assigned)

Table 1 - (Continued) Factory Default Settings

The following precaution will be displayed after selecting the Reset Setup Data command.

```
RESET ALL SETUP DATA TO FACTORY DEFAULTS, ARE YOU SURE?
No Yes
```

Select No to abort the reset. Select Yes to proceed.

Note The Reset Setup Data command will return the Terminal Port Baud rate to its default setting of 38,400 Baud. The PC Baud rate may have to be adjusted.

Reset Event Memory (E)

The Reset Event Memory command will permanently remove from memory all Event Records that were previously logged. Records from each of 128 possible days will be deleted.

The following precaution will be displayed after selecting the Reset Event Memory command.

```
ERASE ALL EVENTS FROM MEMORY, ARE YOU SURE?
No Yes
```

Select No to abort the reset or Yes to proceed. If a reset is performed the following precaution will be displayed.

```
Erasing memory, do not turn power off for 60 seconds,
Press any key to continue
```

Caution It is important that the user not turn off the power while the CWR-72 is clearing the Event Record memory.

Reset Both (B)

The Reset Both command allows the user to clear both databases simultaneously. The precaution noted in the preceding paragraph applies to this command as well.

System Parameters (S)

System Parameters are those parameters that affect the recorder as a whole. They do not affect individual inputs or their behavior. System Parameters include, but are not limited to, the Unit Name, passwords and modem options. The eleven System Parameters are defined with a single command containing multiple fields. A typical response to the System Parameters command is shown below. The use of each System Parameter is described in the following sections.

```
                                System Parameters
                                -----
Unit Name
***** NOT SET *****
Terminal Port Baud Rate  38400
Administrative Password  PASSWORD
Restricted Password      LOOKWORD
Passcode                 12345678
Ring Count               2
Primary Dial Number
Secondary Dial Number
Clock Sync Input         ---
High Temp Limit          257 Degrees F
Low Temp Limit           -67 Degrees F
Daylight Saving Time     Enabled
```

Unit Name

The Unit Name serves as a comprehensive recorder and site ID. Data from several CWR-72 recorders can be easily distinguished by providing each unit with a unique and descriptive name. A total of eighty alphanumeric characters can be used to define the Unit Name. It may include city, milepost, street and DOT designation data. It is assigned using standard Edit Field techniques described in “Working with Fields” on page 16.

Terminal Port Baud Rate

The Terminal Port Baud rate may be assigned one of ten values. Valid settings are: 300, 600, 1200, 2400, 4800, 9600, 19200, 38400, 57600 and 115200bps. Press the **Spacebar** to select a Baud rate.

The following message will be displayed if the Baud rate was changed.

```
Change baud rate now, then
Press any key to continue
```

The user must change the Baud rate of the PC to match the new setting assigned to the recorder.

Administrative and Restricted Passwords

Access to the CWR-72 via the Terminal Port and optional modem is protected by a dual level password system. Administrative Access permits unrestricted access to all recorder functions. Administrative Access allows the Setup Database to be altered and the Event Record memory to be cleared. The Administrative Password should be known to a limited number of users with a genuine need to know.

Restricted Access permits only limited access to the recorder. It allows the user to review, but not alter, the Setup Database and Event Record memories. The Restricted Password can be shared with users that only need access to Event Record data when investigating an incident or resolving a maintenance issue.

The Administrative and Restricted Passwords are defined similarly. Each may be assigned any combination of alphanumeric characters not exceeding eight total. To defeat the password security system assign one of the passwords a null value. This can be done by deleting all of the

characters in the password field and then accepting the empty field. When the password challenge is issued the user will be able to access the system by simply pressing the **Enter** key.

Caution Care should be exercised in assigning and saving the Administrative Password. If it is lost or forgotten it will be necessary to contact MICRO-AIDE for assistance.

Passcode

The CWR-72 can be effectively programmed and operated from its front panel. The Passcode is used to protect the recorder from unwanted access via the front panel. It must be entered when the user attempts to alter the Setup Database. The Passcode can be assigned any combination of digits not exceeding eight total. Alphabetic characters cannot be assigned to the Passcode.

Ring Count

The Ring Count parameter determines the number of ring cycles that must occur before the modem will answer an incoming call. Setting the Ring Count to a sufficiently large value will allow an on-site maintainer to answer a voice call prior to the CWR-72 answering. The Ring Count can be set in the range from 0 to 99. A setting of 0 will disable the modem's auto-answer feature (i.e., incoming calls will not be answered by the modem).

The following message will be displayed below the last field in the Systems Parameter command if the optional modem is not installed. No message will appear if the modem is installed.

```
Modem is NOT installed
```

Primary and Secondary Dial Numbers

The Virtual Input feature of the CWR-72 allows users to program a fault reporting capability into the recorder. If the fault is detected and the recorder is equipped with the optional internal modem, the modem can be enabled to dial out to a maintenance facility and transmit an Event Record that specifies the fault.

The telephone number the modem dials is defined by the Primary and Secondary Dial Number parameters. Dial numbers will generally contain numeric values. An exception to this rule is that parentheses, hyphens and space characters can be placed into the number field for clarity. These characters will be ignored by the modem. Additionally, the comma character can be placed anywhere in the field to create an arbitrary two-second delay. A total of twenty alphanumeric characters can be entered for each of the dial numbers.

The CWR-72 attempts to establish a connection by dialing the Primary Dial Number first. If the connection fails the next attempt is made to the Secondary Dial Number. Successive failures will force the modem to dial alternately between the two numbers. The modem ceases further attempts after ten failures to each number have occurred.

Note The CWR-72 modem is programmed to accept only reliable connections. Consequently, the far end modem must be programmed to establish connections that use error correction protocols such as LAP-M and MNP 2-4.

Clock Sync Input

The CWR-72 contains a real-time clock that allows the recorder to time stamp Event Records to the nearest hundredth of a second. With any clock a small amount of drift can be expected. The CWR-72 clock will drift approximately one minute per month. The Clock Sync Input feature allows an external signal to set the recorder's clock to the nearest fifteen minute mark.

To synchronize the CWR-72 clock to an external input enter a Digital Input number in the Clock Sync Input field. The input entry must take the form **Dnn**, where nn must be in the range of 1 to 64. Leading zeros are not required.

The Clock Sync Input is treated like any other Digital Input. Changes in state of the Clock Sync Input will create Event Records. When the input transitions to an active state (i.e., voltage applied) the clock will be rounded to the nearest fifteen minute value. Accordingly, the count of seconds will be cleared to 00.00. As an example, if the time is 12:16:03.95 the Clock Sync Input feature will set the clock to 12:15:00.00. If the time is 12:44:20.26 the Clock Sync Input feature will set the clock to 12:45:00.00.

Caution The Clock Sync Input will normally be connected to the output of a PLC or MICRO-AIDE External Recorder Clock (ERC). The time between successive PLC output pulses must be a whole multiple of 15 minutes. Otherwise the recorder clock will indicate a significant error. Additionally, the Detection Time setting for the Clock Sync Input must be less than the duration of the PLC output pulse. Refer to the section entitled "Detection Times" on page 25 for details.

High and Low Temp Limits

The temperature inside the CWR-72 can be measured and reported. If the temperature reaches an extreme value a System Event will be declared and logged to memory. Refer to "System Events" on page 91 for additional information. The High and Low Temp Limits are used to define the range of acceptable operation. The settings must range from -67°F to 257°F.

Daylight Saving Time

The real-time clock of the CWR-72 can be adjusted automatically to compensate for DST. This feature operates independently of the Clock Sync Input feature. If enabled, the real-time clock will be shifted by one hour on the first Sunday of April and the last Sunday of October. In both cases the clock is adjusted at 2:00AM.

Detect Times/Flash Enable (D)

The Digital Inputs of the CWR-72 will generally be connected to relay-based control circuits. Since relay contacts typically bounce, the recorder must have the ability to de-bounce these inputs. The Detection Time feature allows the user to establish a validation time for each Digital Input.

Each Digital Input can also be set to monitor a flashing circuit. The Detect Time/Flash Enable command allows the user to program each of these features. A typical response to the Detect Time/Flash Enable command is shown below. Only the first several lines of text are shown.

Detect			Detect Times/Flash Enable			Detect			Detect		
Input	Time	Flash	Input	Time	Flash	Input	Time	Flash	Input	Time	Flash
D01	3.00	No	D17	3.00	No	D33	3.00	No	D49	3.00	No
D02	3.00	No	D18	3.00	No	D34	3.00	No	D50	3.00	No

The procedure for programming both parameters is described in the following sections.

Detection Times

In the sample data shown above the Detection Times are set to the factory default value of 3.00 seconds. The range of valid Detection Times is 0 to 327.67 seconds. A value of zero prevents the Digital Input from logging events. Use the decimal point key to enter fractional values. The Detection Time of inputs assigned as sensors in the Train Speed Monitor feature cannot be altered. They are set to a fixed value of .05 seconds.

Tip Set the Detection Times to values slightly greater than the longest expected bounce time of the relay contacts. This will insure that noise or transient induced voltage changes are not recorded and that legitimate short duration events will be logged.

The Detection Time assigned to a Digital Input enabled for flashing operation represents a special case requiring additional explanation. The correct programming procedure is described below.

Flash Enable

The CWR-72 is able to log Event Records from flashing circuits. A typical flashing event is created by the operation of a crossing light or approach signal. Each time the light flashes a new pulse is seen at the Digital Input. The recorder should only log the start and end events, not an event for each pulse. Assigning the proper Detection Time to the input and enabling the input for flashing operation solves the problem of multiple flash events when only a single pair of events is actually required. Figure 3 on page 26 illustrates the algorithm used by the CWR-72 to detect flashing events.

Tip The Measure Flash Rate command can be used to determine the Detection Time for Flashing Inputs. Refer to the section entitled “Measure Flash Rate (M)” on page 52. Alternatively, the correct Detection Time (in seconds) is equal to 30 divided by the number of flashes per minute (i.e., $30 \div \text{fpm}$).

To enable an input for flashing operation simply highlight the field in the Flash column and press the **Spacebar**.

The Detection Time must be set to the nominal duration of a flash pulse. Pulses are expected to be on and off for the same duration. However, the CWR-72 is designed to allow for some variation in the duration of each pulse. Each on and off pulse must have a duration in the range from 75% to 125% of the assigned Detection Time. Use either of the two methods listed below to determine the correct Detection Time for inputs with non-varying flash rates.

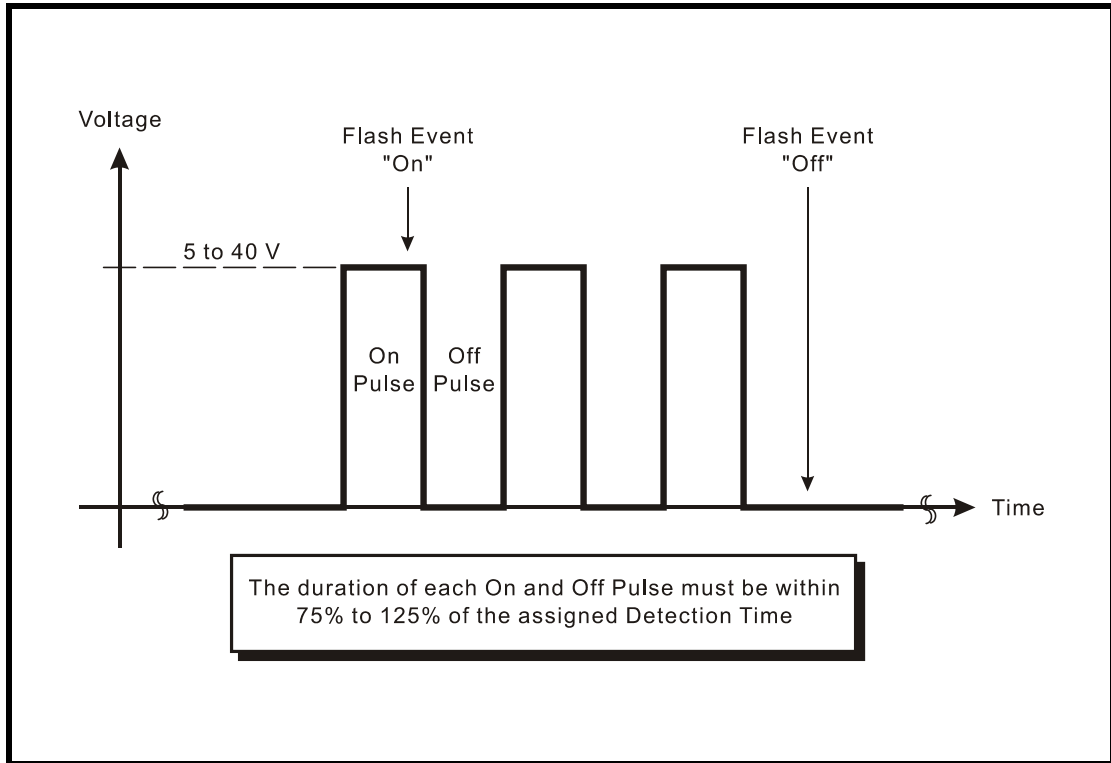


Figure 3 - Typical Flashing Pulse Sequence

Global Detect Time (G)

The Detect Times command allows each Digital Input to be set individually. Setting all 64 inputs to values that differ from the factory default setting can be time consuming. Alternatively, the Global Detect Time command can be used to set all inputs to a single Detection Time value.

The following edit field will be displayed in response to the Global Detect Time command.

```
Global Detect Time
Detect Time for All Inputs:  0.00
```

To set the Detection Time for each Digital Input simply enter a number in the range from 0 to 327.67. The value zero will disable event recording entirely. To complete the entry press **Enter**.

Note A value of 0.00 is always listed in the edit field. The Global Detect Time command will not alter the setting of Digital Inputs assigned as sensors for the Train Speed Monitor.

Analog Configuration (A)

The seven external Analog Inputs of the CWR-72 can be used in a variety of applications. Battery voltages, AC voltage levels and current flows can be measured and reported by the Analog Inputs. The user can select an entry from a preset menu that best suits the intended application. The

CWR-72 is hard-wired to measure the voltage across the B and N power terminals. It is reported as the A8 value. A typical response to the Analog Configuration command is shown below. Default settings are listed.

Input	Range	Analog Configuration		
		Filter*	Low Limit	High Limit
A01	+/-25.5Vdc	Slow	-25.6	25.5
A02	+/-25.5Vdc	Slow	-25.6	25.5
A03	+/-25.5Vdc	Slow	-25.6	25.5
A04	+/-25.5Vdc	Slow	-25.6	25.5
A05	+/-25.5Vdc	Slow	-25.6	25.5
A06	+/-25.5Vdc	Slow	-25.6	25.5
A07	+/-25.5Vdc	Slow	-25.6	25.5
A08	+51.1Vdc	Slow	0.0	51.1

*Recommend "Slow" for AC

The first column identifies the input. Analog Inputs are consistently labeled by the CWR-72 as “A01”, “A02”, etc. The A prefix is always used to distinguish Analog from Digital and Virtual Inputs. This first column of fields is fixed and cannot be altered by the user. Four parameters can be used to characterize an Analog Input. Each parameter is described in the sections that follow. Table 2 lists the Resolution, Filter and Limit Values applicable to each of the seven Ranges.

Range	Resolution	Filter	Low Limit	High Limit
±25.5Vdc	.1Vdc	Slow or Fast	-25.6 to 25.5Vdc	-25.6 to 25.5Vdc
+51.1Vdc	.1Vdc	Slow or Fast	0.0 to 51.1Vdc	0.0 to 51.1Vdc
±255Vdc	1Vdc	Slow or Fast	-256 to 255Vdc	-256 to 255Vdc
25.5Vac	.1Vac	Slow or Fast	0.0 to 25.5Vac	0.0 to 25.5Vac
255Vac	1Vac	Slow or Fast	0 to 255Vac	0 to 255Vac
±25.5Aac	.1Aac	Slow or Fast	-25.6 to 25.5Aac	-25.6 to 25.5Aac
25.5Aac	.1Aac	Slow or Fast	-25.6 to 25.5Aac	-25.6 to 25.5Aac

Table 2 - Analog Input Parameters

Range

The Range setting allows the user to configure the Analog Input for DC or AC voltage or DC or AC current measurements. The Range setting also selects the span of voltages or currents that will be monitored. Lastly, the Range setting selects the resolution that will be reported by the measurement. The +51.1Vdc range is particularly useful in monitoring batteries that may exceed 24Vdc when charging. It is the permanent setting applied to Analog Input A8. The 255Vac range is useful for monitoring the AC power source connected to a battery charger. The DC and AC current ranges are intended to be used with the CWR-CS Current Sensor.

Tip Each of the Ranges identified as AC utilize a true RMS method of measurement. Consequently, these settings can also be used when monitoring inputs with variable DC or pulse content.

Filter

The Filter parameter can be set to either Fast or Slow. The Fast setting utilizes a time constant of .1 seconds. It is generally used when monitoring DC signals. The Slow setting utilizes a time constant of .64 seconds. It should be used when monitoring AC signals in order to smooth out their ripple content. If the user is unconcerned about the Filter time constant it is best to use the Slow (default) setting.

Low and High Limits

Analog Inputs are constantly compared to two Limit Values. The Low and High Limit Values define regions of acceptable and unacceptable operation. Outside the acceptable region the input is considered to be in an abnormal state. An Event Record will be created when the Analog Input transitions into or out of either region.

Figure 4 illustrates the relationship of the Low and High Limit Values to the Analog Input state. Each region defines the type of Event Record that is created by transitions of the input. The figure depicts an Analog Input configured to monitor a typical 12Vdc battery source. The figure indicates that the unacceptable region includes all voltages less than 10.2Vdc and all voltages greater than 14.5Vdc. The unacceptable region always consists of two portions separated by the acceptable region. If the input is within the range extending from 10.2 to 14.5Vdc the battery voltage is considered to be acceptable.

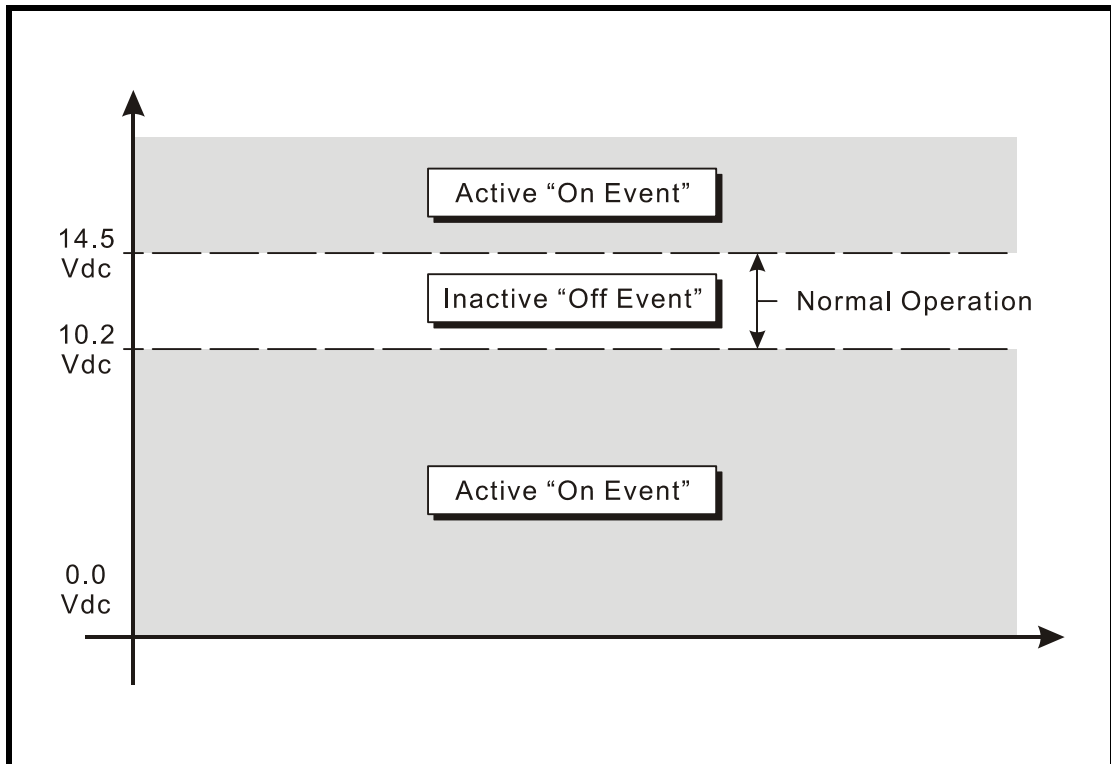


Figure 4 - Analog Input Operating Regions vs. Limit Values

Note Analog Inputs with levels greater than the Low Limit Value but less than the High Limit Value will create Event Records defined by the inactive or Off Event state. Levels found to be outside these limits will create Event Records defined by the active or On Event state.

Timer Inputs (W)

The CWR-72 includes 32 general purpose Timer Inputs. Each timer can be programmed individually. A Timer Input can be used to measure the elapsed time between any two events. As an example, the time between two relay events can be measured. The time a single relay is energized or un-energized can be measured. The interval between the loss of adequate BN voltage and a relay operation can be measured. Additionally, the user can assign Limit Values to each Timer Input. In this way, time delays that are unacceptably short or long can be reported. Finally, Timer Inputs will generate distinguishable Event Records like any other input. Included in each record is the measured time value.

An array of fields similar to the following will be displayed after selecting the Timer Input command. In the example cited, parameters for the first Timer Input have been entered. The other fields have retained their factory default settings. Only the first three Timer Inputs are listed.

Timer Configuration						
Timer	From	Event	To	Event	LowLimit	HighLimit
T01	D32	On	D33	Off	7.5	12.5
T02	---	Off	---	Off	0.0	0.0
T03	---	Off	---	Off	0.0	0.0

[F1]=Next Page [F2]=Prev Page

To program a Timer Input follow the steps listed below.

1. Position the highlight anywhere in the row identified by the Timer Input to be programmed (e.g, T01).
2. Move the highlight into the column labeled “From”. The From input is used to trigger the timer. Assign it by entering **Dnn**, **An**, **Vnn** or **Tnn** where n is 1 to 64 for Digital Inputs, 1 to 8 for Analog Inputs, 1 to 16 for Virtual Inputs or 1 to 32 for Timer Inputs. Leading zeros are not required.
3. Move the highlight to the right into the first column labeled “Event”. Assign the trigger event by pressing the **Spacebar** as required to select the On or Off setting.
4. Move the highlight to the right into the column labeled “To”. The To input is used to terminate the timer. Assign it by entering **Dnn**, **An** or **Vnn** where n is 1 to 64 for Digital Inputs, 1 to 8 for Analog Inputs or 1 to 16 for Virtual Inputs. Leading zeros are not required.
5. Move the highlight to the right into the second column labeled “Event”. Assign the terminating event by pressing the **Spacebar** as required to select the On or Off setting.

6. Move the highlight to the right into the column labeled “LowLimit”. Enter a value within the range of 0 to 999.9 seconds. Any measured time interval that is less than this value will generate an Event Record tagged with an Event Name of Violate.
7. Move the highlight to the right into the column labeled “HighLimit”. Enter a value within the range of 0 to 999.9 seconds. Any measured time interval that is greater than this value will also generate an Event Record tagged with an Event Name of Violate.
8. Move the highlight to another row to program an additional Timer Input. Press the **F1** or **F2** function key to access another group of 16 Timer Inputs.
9. After each of the required Timer Inputs are programmed press the **ESC** key to complete the command.

In the example cited above the time after Digital Input 32 reaches its On state until Digital Input 33 reaches its Off state will be measured. A measured time interval of 10.0 seconds $\pm 25\%$ is considered acceptable. Measured time intervals that are within the range established by the Limit Values will generate Event Records tagged with an Event Name of Nominal. Refer to the section entitled “Event Record Formats” on page 53 for additional information.

Event Names (E)

There are two types of Event Records. Active Event Records are created when a Digital Input is found to have sufficient input voltage (greater than 5Vdc) or when an Analog Input transitions into its unacceptable region as defined by its Limit Values. Conversely, inactive Event Records are created when a Digital Input has less than 2Vdc or an Analog Input is within its acceptable region of operation.

Event Names allow the user to distinguish Event Records from each other in a quick and unambiguous manner. They should not be confused with Input Names and Input Identifiers (see next section). Event Names always occur in pairs. The On Event and Off Event names form the pair. They in turn distinguish the active and inactive Event Records, respectively.

As many as sixteen Event Name pairs can be defined. Once the pairs are defined they can be assigned to inputs of the CWR-72 in any manner that helps the user distinguish Event Records precisely and quickly. By way of example, the Event Records for Digital Input 1 could be labeled “XR_On” and “XR_Off”. The Event Records for Analog Input A1 could be labeled “Bat_Norm” and “Bat_Fail”.

A typical response to the Event Name command is shown below. In the interest of brevity only three of the sixteen pairs are listed. The factory default Event Names are shown.

Event Names		
Number	ON Name	OFF Name
1	On	Off
2	On	Off
3	On	Off
16	Violate	Nominal

To define a new Event Name simply position the highlight to the desired field and type the new name. Event Names are restricted in length to eight characters. They can be formed by any combination of letters, numbers and syntax symbols.

Note As an aid to the user Event Name pair 16 is by default labeled “Violate” and “Nominal”. Furthermore, pair 16 is by default assigned as the Event Name Pair to all Timer Inputs. The pair assignment and names can, however, be changed by the user to better suit the intended application.

Input Names/Identifiers (I)

The CWR-72 utilizes two types of inputs. The 64 Digital and eight Analog Inputs are referred to as physical inputs because actual circuits are wired to the recorder’s input connectors. The CWR-72 also includes 16 Virtual and 32 Timer Inputs. Contrary to physical inputs, Virtual and Timer Inputs are defined by the user for the purpose of detecting failure or alarm conditions among the physical inputs. Refer to the section entitled “Virtual Inputs (V)” on page 32.

All inputs, regardless of type, share one common programming characteristic. The user can define a unique Input Name, Input Identifier and Event Name pair to each input. The Input Name can be any combination of alphanumeric characters not exceeding twenty total. The Input Name appears in each Event Record created by the input in question. It is the primary means by which inputs are distinguished.

The Input Identifier can be thought of as an abbreviated name. It is limited in length to eight alphanumeric characters. It too appears in the Event Record. It is primarily used to distinguish Event Records displayed on the LCD panel of the recorder. Several of the setup commands use the Input Identifier rather than the lengthier Input Name to reference inputs.

The Event Name pairs are described in the preceding section. As many as sixteen Event Name pairs can be defined by the user. Each pair is identified by a number ranging from one to sixteen. After the pairs are defined the Input Names/Identifiers command is used to assign Event Name pairs to inputs. The Event Name pair can be assigned by using either of two methods. The **Spacebar** can be repeatedly pressed when the highlight is located within the OnEvent/ OffEvent field until the desired pair is listed. Alternatively, the number of the required Event Name pair can be entered in the last column.

A typical response to the Input Names/Identifiers command is shown below. Only the first three Digital Inputs and Timer Input T32 have been listed. Analog Inputs follow Digital Inputs. The Virtual Inputs follow the Analog Inputs. They are followed by the Timer Inputs.

Input	Input Names/Identifiers			Event Pair
	Name	ID	OnEvent/OffEvent	
D01	Digital Input 01	DInput01	On/Off	1
D02	Digital Input 02	DInput02	On/Off	1
D03	Digital Input 03	DInput03	On/Off	1
T32	Timer 32	Timer32	Violate/Nominal	16

[F1]=Next Page [F2]=Prev Page

Six data screens are required to list all 120 physical, Virtual and Timer Inputs. To advance to the next screen press the **F1** function key. To return to the previous screen press the **F2** function key.

Virtual Inputs (V)

Virtual Inputs are a unique feature only found in MICRO-AIDE’s family of CWR Event Recorders. The CWR-72 is a powerful, general purpose recording device that can be used to satisfy the data logging demands of a variety of applications. An Event Recorder is frequently used to gather data on a failure condition thought to exist in a relay-based control circuit. The failure condition may occur intermittently. The need to log data over a significant period of time will often impose an additional requirement upon the recorder. The suspected failure can often be defined as the abnormal occurrence of two or more relay states. The normal operation of the circuit predicts that only certain relay states can occur. It follows that any deviation from these normal states suggests a failure that should be flagged and carefully examined.

Identifying failures that occur as the result of abnormal relay states is greatly simplified by using the Virtual Input feature. Each CWR-72 allows as many as sixteen Virtual Inputs to be defined. Each Virtual Input is defined by specific logical associations among particular physical inputs or other Virtual Inputs.

Virtual Inputs are defined by two essential properties. The first property concerns the selection of variables. Variables are merely the inputs (physical, virtual or timer) that will be checked to determine if a Virtual Input event is to be logged. The number of variables that define the Virtual Input can range from one to four. Variables can be Digital Inputs, Analog Inputs, other Virtual Inputs or Timer Inputs. Assigning a Virtual Input as a variable to another Virtual Input is referred to as nesting. Nesting allows the user to create a higher level Virtual Input that evaluates more than four variables in total.

The second property pertains to the state of each assigned variable. A fault condition in a relay-based circuit can only be identified if the state of each variable is properly evaluated. The state of a variable is defined by the CWR-72 as either On or Off. Both states are described below.

- **On:** The Digital Input voltage is in the range from 5 to 40Vdc. The Analog Input level is outside the acceptable range as defined by the region between the Limit Values (refer to Figure 4 on page 28). The Virtual Input evaluates to a true logic state. The Timer Input has reported a timed interval that is either too fast or too slow as compared to its assigned Low and High Limit Values, respectively (refer to the section entitled “Timer Inputs (W)” on page 29).

- **Off:** The Digital Input voltage is less than 2Vdc. The Analog Input level is within the acceptable range as defined by the region between the Limit Values. The Virtual Input evaluates to a false logic state. The Timer Input has reported a timed interval that is within its range of assigned Low and High Limit Values.

The procedure used to define Virtual Inputs is described in the following two sections.

Assigning Variables

An array of fields similar to the following will be displayed after selecting the Virtual Inputs command. In the example cited, only variables for Virtual Input V3 have been entered. The other fields have retained their factory default settings. Only the first six Virtual Inputs are listed.

Virtual Input Parameters						
Input	Function of:			Relay 1	Relay 2	Dial Out
V01	---	---	---	No	No	No
V02	---	---	---	No	No	No
V03	D48	D07	A08	No	Yes	Yes
V04	---	---	---	No	No	No
V05	---	---	---	No	No	No
V06	---	---	---	No	No	No

[F1] to edit virtual output function

Assigning Variables to Virtual Inputs

To assign variables perform the following steps in the order described.

1. Position the highlight anywhere in the row identified by the Virtual Input to be programmed (e.g., V3). Then move the highlight within the row to the extreme left-most column.
2. Assign the first variable by entering **Dnn**, **An**, **Vnn** or **Tnn** where n is 1 to 64 for Digital Inputs, 1 to 8 for Analog Inputs, 1 to 16 for Virtual Inputs or 1 to 32 for Timer Inputs. Leading zeros are not required.
3. Move the highlight to the right. Assign the remaining variables using the previous step. Not all fields need to be assigned a variable. To remove a variable press the **0** key or simply delete all of the characters in the field.
4. Move the highlight to the field in the column labeled “Relay 1” or “Relay 2”. Press the **Spacebar** to select the desired setting. The Yes setting will operate the selected internal relay if the Virtual Input definition is satisfied. The internal relays will remain in their energized state for as long as the conditions that define the Virtual Input persist. The No setting leaves the relay unaffected by the Virtual Input. Both relays can be controlled by a single Virtual Input.
5. Move the highlight to the field in the column labeled “Dial Out”. Press the **Spacebar** to select the desired setting. The Yes setting will allow the internal modem (if installed) to dial the telephone numbers defined by the Primary and Secondary Dial Number parameters. Refer to “Primary and Secondary Dial Numbers” on page 23. If the modem is able to connect with the far end an Event Record for the Virtual Input will be issued.

6. Press the **F1** function key to proceed to the next step.

A sample response listing three variables is shown below. To complete the definition of the Virtual Input the state of each variable must now be assigned.

Virtual Output Function					
Inputs:	D48	D07	A08	---	Output:
	POK Rly	App Lite	Battery		V03 VInput03
	-----	-----	-----	-----	-----
	POK Up	Lite On	Bat Norm		Alrm Off
	POK Dwn	Lite On	Bat Norm		Alrm Off
	POK Up	Lite Off	Bat Norm		Alrm Off
	POK Dwn	Lite Off	Bat Norm		Alrm Off
	POK Up	Lite On	Bat Bad		Alrm Off
	POK Dwn	Lite On	Bat Bad		Alrm Off
	POK Up	Lite Off	Bat Bad		Alrm Off
	POK Dwn	Lite Off	Bat Bad		Alrm On

Assigning States to Virtual Inputs

Selecting States

Before proceeding further the table of state selection fields must be understood. Each Virtual Input will have its own data table. However, the basic structure of each table will remain the same. Refer to the sample data above. Each row lists, from left to right, the Input Numbers that are assigned to each variable (e.g., labeled “D48”, “D07” and “A08”). Unassigned variables are labeled “---”. The last column of the third line lists the Input Number of the Virtual Input being defined (e.g., labeled “V03”). Directly below the Input Numbers on the fourth line of text is listed the Input Identifier for the variable. For the sample data shown the Input Identifiers are labeled “POK Rly”, “App Lite” and “Battery”. The Virtual Input has retained its default Input Identifier, labeled “VInput03”.

The remaining lines of text will vary with the number of assigned variables. One variable will list two lines of text. Two variables will list four lines of text. Three variables (example cited) will list eight lines of text. Four variables will list sixteen lines of text. Each line will specify a state for each of the assigned variables (i.e., inputs). Each state is identified by its user-defined Event Name. The states for the variable labeled “POK Rly” are “POK Up” and “POK Dwn”. The sample data includes three variables, so eight lines of text lists all of the possible variable states.

The last column of data in each line includes a selection field. The field can be set, line by line, to an active or inactive state. The user decides which state to assign to the Virtual Input for each combination of variable states. For the sample data shown, the Virtual Input is assigned to its active state (labeled “Alrm On”) when the variable’s states are POK Dwn, Lite Off and Bat Bad. Anytime this combination of states is found to exist among inputs D64, D7 and A8, respectively, an active Event Record for Virtual Input V3 will be created and stored in memory. An additional, inactive Event Record will be created when the variable states no longer satisfy these requirements.

Perform the following steps to complete the Virtual Input programming procedure.

1. Move the highlight to the first line of text that lists the input states.

2. Press the **Spacebar** to select the correct Event Name for that combination of input states.
3. Move the highlight to the next line and repeat the preceding step.
4. When the Virtual Input state is correctly defined for each line press the **Esc** key and return to the variable assignment table.
5. Press the **Esc** key to exit the command or reposition the highlight and select the next Virtual Input. Repeat both of the previously described procedures as required.

Measure Speed (M)

The CWR-72 includes a speed measuring feature that can be used to continuously monitor train speed and log speed violations. The use of this feature is strictly optional. It is referred to as the Train Speed Monitor feature and it is controlled by the Measure Speed command.

The recorder must be properly configured before the Train Speed Monitor can be used. Regardless of other variations in the configuration the following list of requirements must be satisfied.

- There are a total of eight Train Speed Monitors available in each CWR-72. For each monitor two train sensors must be wired to two spare Digital Inputs of the recorder.
- Each train sensor must reliably indicate the presence of a train.
- The sensor outputs must be either open (no train) or closed to positive battery (nearby train).
- The distance between each sensor must be in the range from 50' to 5280'.

An array of fields similar to the following will be displayed after selecting the command.

Measure Speed Parameters					
Speed#	(Event)	Sensor1	Sensor2	Distance	Threshold
1	(S04)	---	---	0 Feet	0 MPH
2	(S05)	---	---	0 Feet	0 MPH
3	(S06)	---	---	0 Feet	0 MPH
4	(S07)	---	---	0 Feet	0 MPH

To disable measure speed feature:
set sensor inputs(s) to none (---),
or distance or speed limit to zero.

The use of each field is described in the following three sections.

Note The Train Speed Monitor is always disabled by its factory default settings.

Excessive train speed is reported in a time stamped Event Record. Refer to the section entitled “Event Record Formats” on page 53. Figure 5 on page 36 illustrates a typical Train Speed Monitor installation.

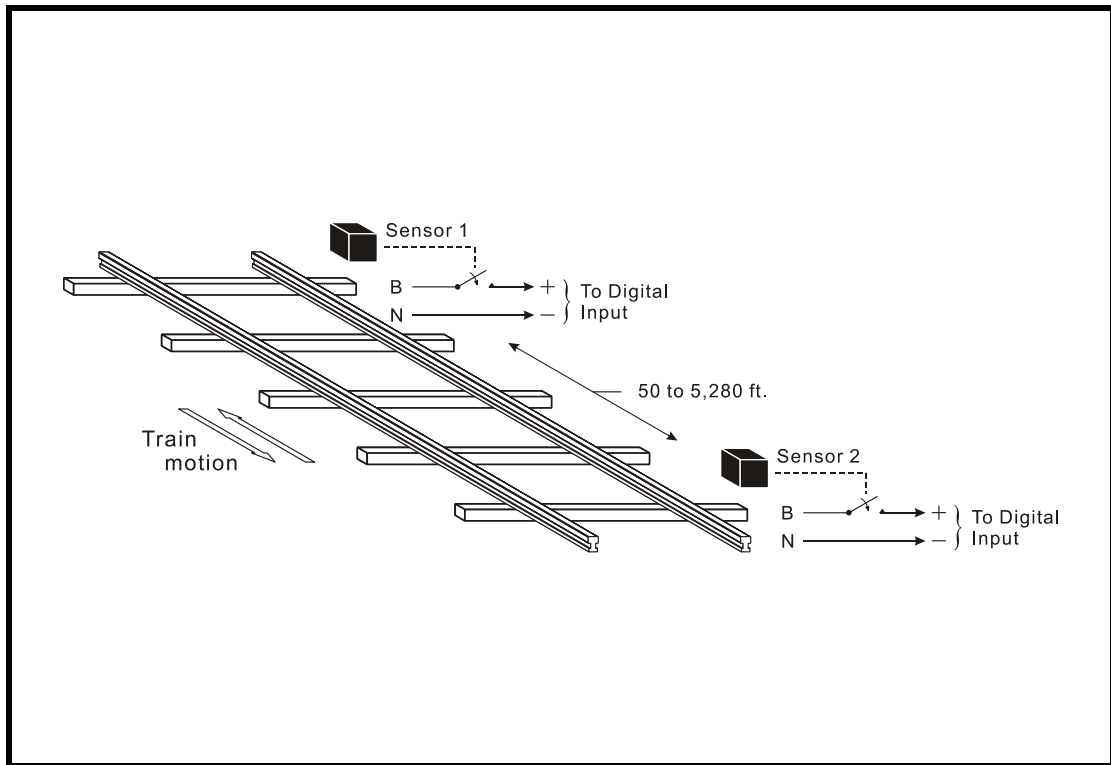


Figure 5 - Typical Installation - Train Speed Monitor

First/Second Sensor Input

The First and Second Sensor Input fields can be assigned any valid Digital Input number. Leading zeros are not required. The values can be non-consecutive or in ascending or descending order. The Train Speed Monitors report motion in either direction with a positive value.

The two Digital Inputs assigned to the train sensors are subject to the following treatment.

- Previously enabled Clock Sync Input, Flashing Input and Measure Flash Rate settings will be automatically disabled.
- Contact closures from either sensor will not result in Event Records being logged to memory.
- The Detection Time for each input will be automatically set to .05 seconds to de-bounce the sensor output signals.
- The user will not be able to alter the Clock Sync Input, Flashing Input, Measure Flash Rate and Detection Time settings. To regain control of these settings the Train Speed Monitor must first be disabled.

Note To disable the Train Speed Monitor enter a zero value in any of the four fields.

Distance between Sensors

The distance between each sensor must be known in order to calculate the speed of the train. The value must be in the range from 50' to 5280'. The value must be entered as a whole number.

Tip Greater values of distance (e.g., 500' instead of 50') will result in improved speed accuracy.

Threshold

The Threshold setting establishes a Limit Value which, if exceeded, will result in an Event Record being created. The Threshold setting must be entered as a whole number, in miles per hour. It must be in the range from 5 to 180mph.

A train found to be in motion at a rate greater than the Threshold value will have its speed reported as a System Event Record. System Events are also used to log power on and off occurrences. System Events are numbered like other inputs. They are identified with an S prefix. The System Event number is listed in parenthesis to the right of the Train Speed Monitor number. Refer to the section entitled “System Events” on page 91 for additional information.

Print Setup Data (P)

The Print Setup Data command can be used to display the setup parameters assigned by the user. The following menu of sub-commands is displayed after selecting the Print Setup Data command.

```

Print Setup Data
P Print All
E Print Event Names
I Print Input Names/Identifiers
D Print Detect Times/Flash Enable
A Print Analog Configuration
V Print Virtual Inputs
T Print Timer Configuration
M Print Measure Speed Parameters
S Print System Parameters
    
```

The Print All command can be used at the end of the Setup Procedure to display the entire Setup Database. The remaining commands are used to display specific portions of the Setup Database.

The following message will be displayed after selecting one of the print commands.

```

Print to:
Screen
Printer
    
```

Selecting Screen will direct the output to the Terminal Port. Selecting Printer will send the data to the Printer Port. The inkjet or laserjet printer must be connected to the CWR-72 Printer Port via a standard parallel printer cable. The printer must be online. At the completion of printing the following message will be displayed.

```

Report Done
hit any key to continue
    
```

The user must press the “Page Eject” button at the printer to print the last page of the report.

If the printer is not turned on, is not online or is not loaded with paper the following message will be displayed.

```
PRINTER ERROR  
hit any key to continue
```

The problem should be corrected and another attempt performed.

Tip The default or currently selected font of the printer will be used by the print feature. To improve the readability of the report the printer should use a mono-spaced font like COURIER. This will force the characters in each row of the report to line up in straight columns.

Tip The Print All command when used with the Screen option will issue a lengthy stream of data that will exceed the viewing capacity of a single terminal screen. The user may wish to temporarily pause the data for better viewing. Refer to the procedure entitled “Data Flow Control” on page 17.

Transfer Files (T)

A CWR-72 will require a considerable amount of data entry if every input is assigned an Input Name, Detection Time, Event Name pair, etc., that differs from its factory default value. In the event of an accidental loss of data memory (e.g., a reset performed by mistake) each Input Name, Detection Time and Event Name pair will need to be re-entered. The Transfer Files command provides the user with a quick and simple data exchange alternative to re-entering the Setup Database by hand.

The Download Setup Data command is used to transmit the Setup Database to a data storage system. A PC running a communications program like HyperTerminal or Procomm Plus makes an ideal storage system. A file containing the setup parameters can be permanently saved on the hard disk or a diskette for later retrieval via the Upload Setup Data command.

To initiate a download or upload of the Setup Database, execute the Transfer Files command. The following sub-menu will be displayed. Both procedures are described in the following sections.

```
Xmodem File Transfer  
D Download Setup Data CWR to PC  
U Upload Setup Data PC to CWR
```

Saving the Setup Database (D)

Before the Setup Database can be saved the PC and communications program must be properly configured. The following list describes the correct configuration.

- **Transfer protocol:** Xmodem.

- **Connection:** If the recorder's Terminal Port is being used select Direct connect-Com1 or Direct connect-Com2 (whichever is available). If the modem is being used the host modem must be logged-on with the recorder.
- **Baud rate:** as required by the recorder port, set to N-8-1.

Note The failure to select the proper transfer protocol (i.e., Xmodem) is the most common mistake made in this procedure.

To save the Setup Database to a PC file select the Download Setup Data command. The following message will be displayed.

```
Sending Setup Data via XMODEM... (Ctrl-X to stop)
```

The steps necessary to complete the download depend upon which communications application is being used. The following sections describe the HyperTerminal and Procomm Plus methods, respectively. Windows 98 was used in the following procedures. Later versions of these programs may be slightly different. However, the fundamental approach will remain valid.

HyperTerminal

1. With the mouse, click on the Transfers command, then the Receive File ... command. The Receive File dialog box will open. Verify that the Xmodem protocol is selected.
2. Select the correct disk drive and folder. Click the Receive button. The Receive Filename dialog box will open.
3. Enter a filename (e.g, setup_10.bin). The three-character file extension must be defined. If the various settings are correct click on the OK button.
4. An information box will automatically open. It will indicate the progress of the transfer. After a few seconds (depending upon the Baud rate) the information box will close automatically to indicate a successful transfer.

Procomm Plus

1. With the mouse, click once on the Receive File icon near the top center of the Procomm Plus window. The icon appears as a downward pointing arrow. The Procomm Plus Receiving File using Xmodem dialog box will open.
2. Select the correct disk drive, folder and filename (e.g, setup_11.xmd). If the various settings are correct click on the Save button.
3. An information box labeled Xmodem will appear. It will indicate the progress of the transfer. After a few seconds (depending upon the Baud rate) the information box will close and the PC may beep to indicate that the transfer is complete. A total of 4864 bytes will be transferred.
4. If the transfer is successful a message similar to "Transfer complete - setup_11.xmd" will appear in the lower left-hand corner of the Procomm Plus window.

After successful completion of the transfer the CWR-72 will issue the following message.

```
Transfer complete  
Press any key to continue
```

The following message is issued if the file is not promptly opened after initiating the download.

```
Transfer error  
Press any key to continue
```

The user can then make a second attempt by selecting the Download Setup Data command again.

Restoring the Setup Database (U)

Before the Setup Database can be restored to the recorder it must have been previously saved. Refer to the procedure entitled “Saving the Setup Database (D)” on page 38. The PC and communications program must be properly configured before the Setup Database can be restored. The following list describes the correct configuration.

- **Transfer protocol:** Xmodem.
- **Connection:** If the recorder’s Terminal Port is being used select Direct connect-Com1 or Direct connect-Com2 (whichever is available). If the modem is being used the host modem must be logged-on with the recorder.
- **Baud rate:** as required by the recorder port, set to N-8-1.

Note The failure to select the proper transfer protocol (i.e., Xmodem) is the most common mistake made in this procedure.

To restore the Setup Database to the recorder from a PC file select the Upload Setup Data command. The following message will be displayed.

```
Are you SURE you want to upload new Setup Data from PC to CWR?  
No Yes
```

Select No to abort the upload. Select Yes to proceed. If the user elects to proceed with the upload the following message will be displayed.

```
CCCCC Receiving Setup Data via XMODEM... (Ctrl-X to stop)
```

The sequence of C characters indicates the recorder is awaiting the Xmodem file.

The steps necessary to complete the upload depend upon which communications application is being used. The following paragraphs describe the HyperTerminal and Procomm Plus methods,

respectively. Windows 98 was used in the following procedures. Later versions of these programs may be slightly different. However, the fundamental approach will remain valid.

HyperTerminal

1. With the mouse, click on the Transfers command, then the Send File ... command. The Send File dialog box will open. Verify that the Xmodem protocol is selected.
2. Select the correct disk drive, folder and filename (e.g., setup_10.bin). If the various settings are correct click the Send button.
3. An information box will automatically open. It will indicate the progress of the transfer. After a few seconds (depending upon the Baud rate) the information box will close automatically to indicate a successful transfer.

Procomm Plus

1. With the mouse, click once on the Send File icon near the top center of the Procomm Plus window. The icon appears as an upward pointing arrow. The Procomm Plus Send File using Xmodem dialog box will open.
2. Select the correct disk drive, folder and filename (e.g., setup_11.xmd). If the various settings are correct click on the Open button.
3. An information box labeled Xmodem will appear. It will indicate the progress of the transfer. After several seconds and a pause (depending upon the Baud rate) the information box will close and the PC may beep several times to indicate that the transfer is complete. A total of 4864 bytes will be transferred.
4. If the transfer is successful a message similar to "Transfer complete - setup_11.xmd" will appear in the lower left-hand corner of the Procomm Plus window.

After the successful completion of the transfer the CWR-72 will issue the following message.

```
Upload completed
Press any key to continue
```

The following message will be issued if the file is not promptly sent after initiating the upload.

```
Transfer error
Press any key to continue
```

The user can then make a second attempt by selecting the Upload Setup Data command again.

Log Off (X)

The Log Off command is used to terminate Administrative and Restricted Access sessions. If the previous user logs off of the recorder, access can be regained only by entering the correct pass-

word. If the previous user fails to log off, a second user will be allowed access without entering a correct password.

Note All sessions should be terminated by executing the Log Off command.

To log off of the recorder press the **X** key. The following message will be displayed.

```
About to Log Off, are you sure?  
No Yes
```

If the user proceeds with the log off the current session will be immediately terminated.

This completes the Setup Procedure for the CWR-72 Event Recorder. The recorder is now prepared to log events in accordance with the setup performed by the user. Since the installation and setup of the recorder are critical to how the CWR-72 will perform, it is advisable to review the steps taken earlier.

The next chapter describes how to operate the CWR-72.

OPERATION

Introduction

This chapter describes how to operate the CWR-72 from either a keyboard equipped printer or PC running a suitable communications program. Local (i.e., on-site) as well as remote methods of operating the Event Recorder are described. Before the recorder can be operated it must be properly installed and set up. A PC or printer must be online with the recorder. The use of the LCD panel and keypad are described in the next chapter.

Multi-User Operation

A unique feature of all MICRO-AIDE recorders is their ability to handle simultaneous operation from multiple users via the modem, Terminal Port or front panel keypad. This multi-user capability eliminates the annoying practice in some recorders of one user effectively locking-out a second or third user.

Remote Operation

The setup procedures and operational capabilities of the CWR-72 can be exercised remotely provided the recorder is equipped with a MICRO-AIDE internal modem. The modem will operate at speeds up to 33,600 Baud. It provides industry standard error correction and data compression features. A modem equipped PC running a communications program (e.g., GEA, HyperTerminal or Procomm) makes an ideal remote access system. Event Records and other data from several remote CWR-72 recorders can be easily gathered and saved to either a hard disk or diskette file.

There are two steps the remote user or host system must perform before remote access is possible. Each of these steps is described in the following section.

Establishing a Modem Connection

A standard telephone line must be attached to the modem of the CWR-72. To access the recorder the host system must dial the telephone number of the CWR-72 and wait for an answer. The recorder's modem will answer after a predetermined number of rings. Refer to the section entitled "Ring Count" on page 23. The modems will then handshake. The handshake ensures that the

modems can communicate with each other at an appropriate speed. A connection is established upon the successful completion of the handshake.

Note The CWR-72 will only permit reliable connections to be established. The host modem should be programmed for MNP 2-4 or LAP-M operation.

Entering the Password

Immediately after a connection is established the CWR-72 will issue a password request similar to the following.

```
Model CWR-72 Event Recorder. Ver 3.03 (C) 2006 MICRO-AIDE Inc.  
***** NOT SET *****  
Event storage capacity: 123040  
Enter password:
```

The host system must issue the correct password followed by an **Enter**. Passwords are defined in accordance with the procedure entitled “Administrative and Restricted Passwords” on page 22.

Note The default Administrative and Restricted Access passwords are **PASSWORD** and **LOOKWORD**, respectively. Passwords are case sensitive.

The host system is given three attempts to enter the correct password. A third error will result in a disconnect by the recorder. This procedure prevents unwanted users from accessing the recorder.

After the password is entered the user will be able to operate the recorder in a manner identical to that specified by local operation. Accordingly, the CWR-72 will display the Main Menu of commands. Refer to the sample data entitled “Main Menu” on page 11.

How to Operate the CWR-72

An explanation of each operational command is included in the remaining sections of this chapter. Operational commands may be executed in any sequence. The user may wish to perform operations in one sequence and then, depending upon the observed data, perform a different sequence of commands. Each command is listed by its name (as it appears in the Main Menu) followed by its command code contained within parenthesis.

Query Events (Q)

The Query Events command provides the principal means by which Event Records are inspected. It allows the user to inspect events for a particular time frame and/or specific set of inputs. Additionally, the Query Events command includes several data output options that can be selectively employed depending upon the user’s data display requirements.

A typical response to the Query Events command is shown below.

```

                                Select Range of Dates
04-06-06  04-07-06  04-08-06  04-09-06  04-10-06  04-11-06  04-12-06  04-13-06
04-14-06  04-15-06  04-16-06  04-17-06  04-18-06  04-19-06  04-20-06  04-21-06
04-22-06  04-23-06  04-24-06  04-25-06  04-26-06  04-27-06  04-28-06  04-29-06
04-30-06  05-01-06  05-03-06

Use arrow keys to move, Space=start selection, Enter=accept, ESC=cancel

```

The data array forms a table of dates in MM-DD-YY format. The table indicates that at least one Event Record was logged in memory for each day listed. Days where no records were logged will not be included in the table (e.g., 05-02-06 in the above). The CWR-72 can store Event Records for 128 different dates provided the event storage capacity is not exceeded.

Note The CWR-72 utilizes a rotating memory. Records from the 129th day will automatically over-write records from the first day regardless of how many records are stored in memory.

The first step in using the Query Events command is to select the date or range of dates that the user wishes to inspect. To select a single date simply position the highlight to the desired date and press the **Enter** key. To select a range of dates follow the steps listed below.

1. Using the appropriate arrow keys highlight the first date in the range.
2. Press the **Spacebar** to anchor one end of the range to be highlighted.
3. Press the appropriate arrow keys until each date in the desired range is highlighted.
4. Press the **Enter** key to accept the highlighted range of dates.

The **Esc** key can be pressed at any time to cancel the selection. The user will then be returned to the Main Menu. If, however, the selection is accepted an array of Selection and Edit Fields entitled “Query Report” will be displayed. A sample Query Report is shown below.

```
                                Query Report
Start Date:                      04-06-06
Start Time:                      00:00:00

End Date:                        04-06-06
End Time:                        23:59:59

Record Details:                  All Details (4)

Reverse order:                   No
Report Type:                     Dump

Inputs:
(blank=all)

                                [F1]=Execute Report, ESC=cancel
```

The Event Records of interest to the user can be further qualified by the six fields listed in the Query Report. The use of each field is described in the sections that follow.

Start Time

Event Records that are time stamped after the assigned Start Time (for the day selected as the Start Date) will be issued by the Query Command. The Start Time can be assigned any value from 00:00:00 to 23:59:59. The default setting is always 00:00:00. The Start Time must be entered in military format.

End Time

Event Records that are time stamped before the assigned End Time (for the day selected as the End Date) will be issued by the Query Command. The End Time can be assigned any value from 00:00:00 to 23:59:59. The default setting is always 23:59:59. The End Time must be entered in military format.

Record Details

The CWR-72 can format Event Records in five different ways. Press the **Spacebar** to select one of the five formatting options described below. As a convenience to the user the last option selected is automatically pre-selected the next time the command is used.

A complete explanation of Event Record formats is included at the end of this chapter. Refer to the section entitled "Event Record Formats" on page 53. The numbers included in each of the headings listed below specify the number of lines of text each formatting option will create.

All Details (4)

The status of each Digital Input, the level of each Analog Input and the status of each Virtual Input is listed with data concerning the input that created the record.

Digital Details (2)

The status of each Digital Input is listed with data concerning the input that created the record.

Analog Details (2)

The level of each Analog Input is listed with data concerning the input that created the record.

Virtual Details (2)

The status of each Virtual Input is listed with data concerning the input that created the record.

No Details (1)

Only information concerning the input that created the record is listed.

Reverse Order

The Reverse Order option can be set to either No (default setting) or Yes. The default setting will result in the oldest records being issued first. If enabled, the Reverse Order option will issue the most recent records first. They will be followed by older records. In either case, Event Records are always issued in chronological sequence.

Report Type

The Report Type field can be set to Dump (default setting), Print, Browse or Comma. The proper selection depends upon the user's requirement. Each option is described in the following sections.

Dump

The Dump option will issue Event Records in a continuous stream. The streaming of records will only cease when the last record is issued or the user executes a Pause or Abort command. Refer to the section entitled "Data Flow Control" on page 17. Generally, the Dump option is used if a large number of records are to be inspected.

Note The Dump option is generally used if Event Records need to be captured to a PC file.

Print

The Print option allows the user to make a locally printed hard copy report that includes all of the Event Records previously selected. Before selecting the Print option the printer must be connected to the Printer Port of the CWR-72. A standard parallel printer cable is required. The printer must be turned on, online and supplied with paper. The user must remember to press the "Page Eject" button on the printer to print the last page of the report.

Tip The default or currently selected font of the printer will be used by the print feature. To improve the readability of the report the printer should use a mono-spaced font like COURIER. This will force the characters in each row of the report to line up in straight columns.

Browse

The Browse option allows the user to inspect a set of records one screen at a time. It will typically display eleven one-line records, seven two-line records or four four-line records per screen. The same set of records will be displayed indefinitely until the user presses an arrow key to review

listed as either ON or OFF. The assigned Event Name is not used. If the record is from a Timer Input or one of the Train Speed Monitors a sixth field that lists the Measured Time or train speed value is included.

Note By convention, CSVs that may contain a comma character must be enclosed by a pair of quotation marks. Refer to the Unit Name, Input Names and status labels shown above. A name that contains a quotation mark will be indicated by an additional quotation mark.

The Input Number listed in a CSV record is altered to exclude letter prefixes (e.g., D, A, V and T). Table 3 lists the translation method employed.

Input Source	CSV Input Number
D1 to D64 (Digital)	1 to 64
A1 to A8 (Analog)	65 to 72
V1 to V16 (Virtual)	73 to 88
T1 to T32 (Timer)	89 to 120
S1 (System Power)	121
S2, S3 (System Temperature)	122, 123
S4 to S7 (Train Speed Monitors)	124 to 127

Table 3 - CSV Input Numbers

Inputs

The Inputs field allows the user to inspect Event Records from specific inputs. The default setting (Inputs field is blank) will issue records from all inputs. To select specific inputs a valid Input Number must be entered. Digital Inputs are entered as **Dnn** where nn is a number between 1 and 64. Analog Inputs are entered as **An** where n is a number between 1 and 8. Virtual Inputs are entered as **Vnn** where nn is a number between 1 and 16. Timer Inputs are entered as **Tnn** where nn is a number between 1 and 32. Leading zeros are not required.

Multiple inputs can be selected by using the following methods. Separate two Input Numbers by a single space character. Select a contiguous range of inputs by including a - (hyphen) between two n numbers. The contiguous range option can be applied to all inputs regardless of type.

The set of Input Numbers must be terminated by pressing the **Enter** key. The following example illustrates a typical Inputs field entry.

```
Inputs: D2 d5-8 a3 d64 v16 A6-8
(blank=all)
```

As the example indicates, the input type designator can be entered as an upper- or lower-case letter. Input Numbers can be entered without regard to sequence. Event Records for Digital Inputs 2, 5, 6, 7, 8, 64, Analog Inputs A3, A6, A7, A8 and Virtual Input V16 will be issued.

After the inputs are selected the user must press the **F1** function key to complete the command. Event Records will then be issued in accordance with all of the settings selected by the user. Event Records will automatically cease being issued when the Report Type is set to Dump, Print or Comma. After the last Event Record a message similar to the following will be displayed.

```
Number of records = 126  Checksum = F515  
End of report  
Hit any key to continue
```

The exact number of records included in the report is always specified. A checksum is also included. The checksum is calculated from the first character of the first record through the last character of the last record. Any report that issues the same set of records will always list the same checksum value regardless of when the report was generated. Accordingly, alteration of the record data can be detected provided the original data and checksum are known.

View Events (V)

The View Events command allows the user to display Event Records in real-time. Immediately after an event is detected its corresponding Event Record will be issued to the Terminal Port, Printer Port or modem. This command can be very useful in tracking events that are occurring while the user is online with the recorder. It can also be used effectively during the Initial Check-out Procedure to verify that each input is properly cabled.

The following message will be issued after the command has been selected.

```
View Events Report  
Record Details:    All Details (4)  
Output To:        Screen  
Inputs:  
(blank=all)  
[F1]=Execute Report, ESC=cancel
```

The Event Records of interest to the user can be qualified by the three fields listed in the View Events Report. The use of each of these fields is described in the following sections.

Record Details

This setting allows the user to select the level of detail to be included in each Event Record. Refer to the section entitled “Event Record Formats” on page 53 for additional information regarding the use of this field.

Output To

The Output To field includes the Screen and Printer options. Both are described below.

Screen

Selecting the Screen option will direct the Event Records to the peripheral device connected to the Terminal Port or modem.

Printer

The Printer option allows the user to make a locally printed hard copy report that includes selected Event Records. Before selecting the Printer option the printer must be connected to the Printer Port of the CWR-72. A standard parallel printer cable is required. The printer must be turned on, online and supplied with paper. The user must remember to press the “Page Eject” button on the printer to print the last page of the report.

Tip The default or currently selected font of the printer will be used by the print feature. To improve the readability of the report the printer should use a mono-spaced font like COURIER. This will force the characters in each row of the report to line up in straight columns.

Inputs

The use of the Inputs field allows the user to review records from specific inputs. The use of this field is described in “Inputs” on page 49.

After the selection fields are assigned press the **F1** function key to start the report. The recorder will continue to print records as they occur in real-time. Press the **Esc** key to stop the report.

Live Status (L)

The Live Status command provides a single-screen snapshot of the present state of every recorder input (i.e., Digital, Analog and Virtual Inputs). The state or measured value of each input will be continuously and automatically updated. The Live Status report indicates the state of Analog and Virtual Inputs by their user-assigned Input Identifier and Event Names. Input Identifiers and Event Names are described in “Input Names/Identifiers (I)” on page 31 and “Event Names (E)” on page 30, respectively.

Note To properly view the Live Status report the PC must be configured to emulate an ANSI terminal.

An example of the Live Status report is shown below.

```
[ESC]=exit      84 Degrees F      Live Status      10:11:56 04-06-06
XR_1 : Up      DInput02: Off      DInput03: Off      DInput04: Off
DInput05: Off      DInput06: Off      DInput07: Off      DInput08: Off
DInput09: Off      DInput10: Off      DInput11: Off      DInput12: Off
DInput13: Off      DInput14: Off      DInput15: Off      DInput16: Off
DInput17: Off      DInput18: Off      DInput19: Off      DInput20: Off
DInput21: Off      DInput22: Off      DInput23: Off      DInput24: Off
DInput25: Off      DInput26: Off      DInput27: Off      DInput28: Off
DInput29: Off      DInput30: Off      DInput31: Off      DInput32: Off
DInput33: Off      DInput34: Off      DInput35: Off      DInput36: Off
DInput37: Off      DInput38: Off      DInput39: Off      DInput40: Off
DInput41: Off      DInput42: Off      DInput43: Off      DInput44: Off
DInput45: Off      DInput46: Off      DInput47: Off      DInput48: Off
DInput49: Off      DInput50: Off      DInput51: Off      DInput52: Off
DInput53: Off      DInput54: Off      DInput55: Off      DInput56: Off
DInput57: Off      DInput58: Off      DInput59: Off      DInput60: Off
DInput61: Off      DInput62: Off      DInput63: Off      DInput64: Off
Alarm 1: Active      VInput02: Off      VInput03: Off      VInput04: Off
VInput05: Off      VInput06: Off      VInput07: Off      VInput08: Off
VInput09: Off      VInput10: Off      VInput11: Off      VInput12: Off
VInput13: Off      VInput14: Off      VInput15: Off      VInput16: Off
Bat_24 AInput02 AInput03 AInput04 AInput05 AInput06 AInput07 Battery
24.3Vdc 13.5Adc 0.0Vdc 0.0Vdc 0.0Vdc 0.0Vdc 0.0Vdc 13.4Vdc
Good Hi_Curr Off Off Off Off Off Normal
```

The Live Status report includes a header that lists the present time, date and temperature inside the unit. Digital Inputs, with their corresponding Input Identifiers, are listed in the sixteen rows that follow the header information. To the immediate right of the Input Identifier is the Event Name that identifies the input's present state. The next four rows list the Input Identifiers and Event Names for the sixteen Virtual Inputs. The last three rows list Analog Input data. The Input Identifier, measured value and Event Name are listed from top to bottom, respectively.

The sample data indicates that Digital Input 1 is active. The other Digital Inputs are idle. The DC voltage source connected to Analog Input A1 is acceptable at 24.3Vdc and is therefore reported as being in a Good state. The Battery potential at Analog Input A8 is 13.4Vdc, which is considered to be Normal. Finally, there is an active alarm condition reported by Virtual Input V1.

The Live Status command can be very useful in verifying that inputs are wired and labeled correctly. Additionally, it can be used to determine if the inputs are operating properly and if the assigned Detection Times are set in accordance with the characteristics of the monitored circuits.

Measure Flash Rate (M)

Typical railroad operating procedures require that the flashing rate of crossing signals be periodically measured and reported. The Measure Flash Rate command allows the CWR-72 user to precisely determine the flashing rate of a circuit.

Enabling the Measure Flash Rate feature imposes several pre-conditions upon the Setup Database of the recorder. The circuit to be measured must be connected to a Digital Input. The selected Digital Input will be assigned a Detection Time of .1 seconds. This will insure that the flashing pulses will not be filtered out by the de-bounce properties of the Detection Time feature. Refer to "Detection Times" on page 25. Finally, the selected Digital Input cannot be enabled as the Clock Sync Input. Refer to "Clock Sync Input" on page 24 for additional information.

Note The CWR-72 will automatically adjust the Digital Input's Detection Time setting to .1 seconds and disable its Clock Sync Input setting when the Measure Flash Rate command is executed. These settings will be automatically restored to their prior values when the measurement is concluded.

The following Edit Fields will be displayed after the Measure Flash Rate command is selected.

```

Measure Flash Rate
Input to Measure: D01
[F1] to measure, [ESC] to quit

```

The user must enter a valid Digital Input number in the Input to Measure field. The entry must take the form Dnn, where nn must be in the range from 1 to 64. Leading zeros are not required. Press the **Enter** key to accept the Input Number. Finally, press the **F1** function key to initiate the measuring process. A data screen similar to the following will be displayed.

```

Measure Flash Rate
Input to Measure: D01
Measuring..., [ESC] to quit
Flashes/Minute: 46.5
On Time:      0.65 Sec
Off Time:     0.64 Sec
Cycle Time:   1.29 Sec
Detect Time:  0.64 Sec

```

The lower five lines of text reflect the Measure Flash Rate data. The first line indicates the number of flashes per minute (e.g., 46.5). The second and third lines report the On Time and Off Time durations, respectively. The data listed in the fourth line (referred to as Cycle Time) is the duration of one on/off sequence. It is the sum of the On Time and Off Time durations. Finally, the fifth line specifies the optimum Detection Time to be assigned to inputs using the reported flash rate.

The data listed in the Measure Flash Rate report is updated continuously and automatically. For typical flash rates the data will be updated every several seconds. To stop the measuring process simply press the **ESC** key. The Digital Input can then be connected to another circuit. The original Detection Time and Clock Sync settings will be automatically restored.

Event Record Formats

Event Records provide the user with information about the status of each input at a specified moment in time. Event Records consist of printable ASCII characters. Five different formatting methods are employed by the CWR-72. They create one-, two- and four-line records. All five formatting options are available in the Query Events and View Events commands. In the sections that follow, each of the five formatting options are described in order of increasing detail.

No Details

The one-line form is used to provide event information from a single input. Analog Input levels are not listed in this format. Two sample records are shown below.

14:57:54.69	04/06/06	NS_Gate_Down_Relay	GateDwn	Up	D01	
14:58:03.33	04/06/06	AC_Power_120V	AC_Power	AC_Fail	A01	
15:01:17.74	04/06/06	Switch_Delay_R127	R127-3	Violate	T32	15.9s

Each record consists of six or seven data fields. Each is fully described below (from left to right).

- **Time:** The time the event was detected is indicated in military-style HH:MM:SS format. The time is identified to the nearest hundredth of a second.
- **Date:** The date the event was detected is indicated in MM/DD/YY format.
- **Input Name:** The twenty-character Input Name identifies the input. The names NS_Gate_Down_Relay, AC_Power_120V and Switch_Delay_R127 are listed in the sample records.
- **Input Identifier:** The eight-character Input Identifier further identifies the input. The identifiers GateDwn, AC_Power and R127-3 are listed in the sample records.
- **Event Name:** The Event Name identifies the type of event detected at the input. The Event Name listed will always be a member of the Event Name Pair assigned to the input. The Event Names Up, AC_Fail and Violate indicate clearly to the user the type of event that was recorded.
- **Input Number:** For non-Timer Input records the Input Number is the last data field listed. The record may be from a Digital (D01 to D64), Analog (A01 to A8), Virtual (V01 to V16) or Timer Input (T01 to T32).
- **Measured Time or Speed:** The Measured Time field only appears at the end of a Timer Input Event Record (refer to last sample record listed above). The Measured Time will be reported as a value in the range of 0.0 to 999.9 seconds. A value is listed regardless of the Event Name that identifies the record type (e.g., Violate or Nominal). If the Event Record is from one of the Train Speed Monitors the measured speed in mph will be reported.

Virtual Details

The Virtual Details format uses two lines of text. The first line is formatted identically to that used by the No Details option. See the previous section for additional information. The three sample records listed earlier are shown below using the Virtual Details format. The second line of text includes a sequence of sixteen characters that indicate the state of each Virtual Input at the time the event was logged to memory. A pattern of x and . (period) characters are shown in the sample records below. The left-most character indicates the state of Virtual Input V1. The right-

most character indicates the state of Virtual Input V16. There are four symbols used to indicate the state of Digital and Virtual Inputs. They are described in the section entitled “Symbol Legend” on page 56.

14:57:54.69	04/06/06	NS_Gate_Down_Relay	GateDwn	Up	D01	
x.....	x.....					
14:58:03.33	04/06/06	AC_Power_120V	AC_Power	AC_Fail	A01	
x.....	x.....					
15:01:17.74	04/06/06	Switch_Delay_R127	R127-3	Violate	T32	15.9s
x.....	x.....					

Digital Details

The Digital Details format also requires two lines of text. The first line is formatted identically to that used by the No Details option. The three sample records listed earlier are shown below using the Digital Details format.

14:57:54.69	04/06/06	NS_Gate_Down_Relay	GateDwn	Up	D01	
X.....X	x.....X.X
14:58:03.33	04/06/06	AC_Power_120V	AC_Power	AC_Fail	A01	
x.....X	x.....X.X
15:01:17.74	04/06/06	Switch_Delay_R127	R127-3	Violate	T32	15.9s
x.....X	x.....X.X

The second line of text is used to indicate the state of each Digital Input at the time the event was recorded. A pattern of x and . (period) characters are shown in the sample records. The left-most character indicates the state of Digital Input 1. The right-most character indicates the state of Digital Input 64. There are four symbols used to indicate the state of Digital and Virtual Inputs. They are described in the section entitled “Symbol Legend” on page 56.

Analog Details

The Analog Details format also requires two lines of text. The first line is formatted identically to that used by the No Details option. The three sample records listed earlier are shown below using the Analog Details format.

14:57:54.69	04/06/06	NS_Gate_Down_Relay	GateDwn	Up	D01	
101Vac	0.0Vdc	0.0Vdc	0.0Vdc	0.0Vdc	0.0Vdc	13.6Vdc
14:58:03.33	04/06/06	AC_Power_120V	AC_Power	AC_Fail	A01	
89Vac*	0.0Vdc	0.0Vdc	0.0Vdc	0.0Vdc	0.0Vdc	12.9Vdc
15:01:17.74	04/06/06	Switch_Delay_R127	R127-3	Violate	T32	15.9s
87Vac!	0.0Vdc	0.0Vdc	0.0Vdc	0.0Vdc	0.0Vdc	12.8Vdc

. (period)

The Digital or Virtual Input remains in its Off state. The referenced input is not the source of the Event Record.

The four symbols used to indicate the state of an Analog Input are described below.

*** (asterisk)**

The Analog Input has transitioned into its unacceptable region of operation. The referenced input is the source of the Event Record. The assigned On Event Name is listed as the Event Name.

! (exclamation mark)

The Analog Input remains in its unacceptable region of operation. The referenced input is not the source of the Event Record.

= (equals sign)

The Analog Input has transitioned into its acceptable region of operation. The referenced input is the source of the Event Record. The assigned Off Event Name is listed as the Event Name.

(blank)

The Analog Input remains in its acceptable region of operation. The referenced input is not the source of the Event Record.

Event Names and Limit Values are described in “Event Names (E)” on page 30 and “Low and High Limits” on page 28, respectively.

This concludes the chapter on how to operate the CWR-72 from the Terminal Port and modem. The user should remember to use the Log Off command to end the current session. Refer to “Log Off (X)” on page 41.

The next chapter describes the use of the front panel LCD and keypad.

DISPLAY AND KEYPAD

Introduction

The CWR-72 is designed to provide its user with the greatest degree of versatility and functionality. All MICRO-AIDE Event Recorders come equipped with a front panel mounted Liquid Crystal Display (LCD) and keypad. Together these features allow the user to perform all of the setup and operational procedures required to effectively use the recorder. The advantage to the user is that a PC or printer, although helpful, is not required to operate the recorder.

Setup and operation of the CWR-72 from the front panel is somewhat different than operation via a peripheral device. The tasks to be performed and the end results are identical but the methods employed are different. This chapter describes the methods that are unique to front panel operation. Figure 1 on page 8 provides an illustration of the LCD panel and keypad.

Front Panel Description

Liquid Crystal Display

The LCD panel consists of a display approximately 3" by 1" in size. It is configured to present four lines of data. Each line can contain twenty alphanumeric characters and symbols. The LCD characters are large and can be viewed easily from several feet away. The super-twist design of the LCD panel provides a viewing angle of $\pm 20^\circ$ from the level of the display. The contrast level of the display may be adjusted. This can be helpful when the recorder is exposed to very hot or cold temperatures. The single-turn potentiometer that controls the contrast level is accessible through a small hole in the front panel of the recorder. It is labeled "Adj". Use a small flat-head screwdriver to adjust the setting.

Keypad

The keypad contains twenty individual keys. Each key consists of a pushbutton switch. They are clearly labeled as to their various functions. The keys are spaced .65" apart to minimize double hits. A special editing technique allows alphabetic characters to be entered via the keypad. The left (\leftarrow) and right (\rightarrow) arrow and *Enter* keys also provide for quick menu item selection. Except while selecting a command or performing the special editing procedure, the left arrow key may be used to backspace over characters when an incorrect number has been entered.

Note Unless otherwise stated, characters shown in italics are used to refer to specific keys on the keypad (e.g., *Browse*). This convention is used throughout the remainder of this chapter.

How to Use the Keypad

After power is applied, the CWR-72 will perform a firmware boot-up procedure. The LCD will remain blank for 10 to 15 seconds while the recorder is booting. The following message will be briefly displayed at the completion of the boot-up procedure.

```
MICRO-AIDE  
Model CWR-72  
Event Recorder  
Version 3.03
```

The reference to firmware version 3.03 may vary. The firmware version number should be recorded and saved in the event service ever needs to be performed on the unit. After the boot-up procedure is completed the recorder will automatically enter Idle Mode. There are three operational modes, each is described in the following sections.

Idle Mode

Except as noted below, the real-time clock and Unit Name are displayed during Idle Mode. It is the at rest condition of the recorder. An example of the real-time clock display is shown below. The first twenty characters of the Unit Name are listed in the last row. Refer to the section entitled “Unit Name” on page 22 for additional information.

```
TIME      DATE  
16:35:52  04-06-06  
CWR72 Event Recorder  
San Dimas SC-27.793
```

The CWR-72 utilizes the 24-hour, military time convention (e.g., 7:00PM is shown as 19:00:00). The date and time display is interrupted once every minute for five seconds. Alternating messages referring to the Setup and Browse Modes are displayed during this period.

The real-time clock display is also interrupted in Idle Mode when new Event Records are logged. Each new event will be displayed only briefly. This process is useful in verifying that the recorder is continuing to detect events. The Event Record format used by the LCD is described in the following section.

Event Record Format

Event Records consist of four lines of text. Sample records for each input type are shown below.

```
14:57:54.69 04-06-06
D01      1xx.....x
NS_Gate_Down_Relay
GateDwn      Up
```

LCD Event Record - Digital Input

```
14:58:03.33 04-06-06
A01      89Vacx.....
AC_Power_120V
AC_Power      AC_Fail
```

LCD Event Record - Analog Input

```
21:03:15.82 04-06-06
V03  ..x.....
Lamp_Fail_Test
VInput03      Test:Bad
```

LCD Event Record - Virtual Input

```
15:01:17.74 04-06-06
T32  15.9s
Switch_Delay_R127
R127-3      Violate
```

LCD Event Record - Timer Input

The first line of text always specifies the time and date the event was logged to memory. The date is listed in MM-DD-YY format.

The second line of text lists the Input Number. It is generally followed by a sequence of x and . (period) characters. An x indicates an input with an active or On Event state. A . (period) indicates an input with an inactive or Off Event state. In the case of Analog Inputs the state indicators are preceded by the measured Analog Input level (e.g., 89Vac in the second sample record). In the case of Digital Input records all 64 Digital Input states cannot be depicted in the second line of text. Only a group of ten are shown. The three-digit number that precedes the state field is the Input Number of the first state indicator. For Analog Inputs the state indicators, from left to right, pertain to A1 through A8. For Virtual Inputs the state indicators, from left to right, pertain to V1 through V16. In the case of Timer Input records the Measured Time value is listed.

The third line always lists the twenty characters of the assigned Input Name (e.g., Lamp_Fail_Test in the third sample record).

Finally, the eight characters of the assigned Input Identifier and Event Name are listed in the fourth line from left to right, respectively. Refer to “Input Names/Identifiers (I)” on page 31 and “Event Names (E)” on page 30, respectively.

Printing Records While in Idle Mode

The CWR-72 is equipped with a parallel printer port that can be used with commonly available inkjet or laserjet printers. Provided a printer is connected it can be used to create a hard copy printout of an entire range of Event Records while the CWR-72 is in Idle Mode.

To print records from the keypad press the *Print* key while in Idle Mode. The following message will be displayed briefly.

```
Select start date
```

It will be followed by a table of dates similar to the following.

```
040606 040706 040806  
040906 041006 041106  
041206 041406
```

Select the start date by highlighting the appropriate date and pressing the *Enter* key. A message requesting an end date will then be displayed briefly. Use the same procedure to select the end date. Data similar to the following will then be displayed.

```
04-06-06 00:00:00  
To:04-06-06 23:59:59  
Det:All Details  
Rev:No Query:---
```

The data screen shown above contains five fields that allow the user to select the time span and format of the records to be printed. The use of each field is described in the sections that follow.

Start Time

Event Records that are time stamped after the assigned Start Time (for the day selected as the Start Date) will be printed. The Start Time can be assigned any value from 00:00:00 to 23:59:59. The default setting is always 00:00:00. The Start Time must be entered in military format.

End Time

Event Records that are time stamped before the assigned End Time (for the day selected as the End Date) will be printed. The End Time can be assigned any value from 00:00:00 to 23:59:59. The default setting is always 23:59:59. The End Time must be entered in military format.

Record Details

Event Records can be printed from the keyboard using five different formats. In order of appearance, the five formats are referred to as All Details, Digital Details, Analog Details, Virtual Details and No Details. After highlighting the field labeled “Det”, press the **Enter** key repeatedly to select the desired formatting option. Refer to the section entitled “Event Record Formats” on page 53 for additional information concerning the formatting of printed records.

Reverse Order

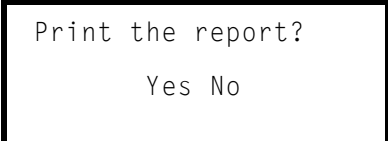
The Reverse Order option can be set to either No (default setting) or Yes. The No setting will print the oldest records first. The Yes setting will print the most recent records first. In either case, Event Records will always be printed in chronological sequence. Press the **Enter** key to toggle the setting.

Query

The Query field allows the user to print records for a specific input or all inputs. The default setting is labeled “---”, which prints records for all inputs. To print records from a specific input follow the steps listed below.

1. Highlight the Query field and press the **Enter** key.
2. Press the **Alpha** key repeatedly until the desired input type is displayed (i.e., D, A, V, T or S).
3. Press the appropriate number keys to enter the Input Number. Leading zeros are not required.
4. Accept the setting by pressing the **Enter** key.

After the various fields are defined properly the user must press the **Esc** key. The following message will be displayed.



```
Print the report?  
Yes No
```

The printer must be turned on, online and supplied with paper. After printing has ceased the user must remember to press the “Page Eject” button at the printer to print the last page of the report.

Tip The default or currently selected font of the printer will be used by the print feature. To improve the readability of the report the printer should use a mono-spaced font like COURIER. This will force the characters in each row of the report to line up in straight columns.

Browse Mode

Browse Mode is most commonly used to view Event Records via the LCD panel. Event Records may be viewed in either forward or reverse chronological order. Events are selected by date and time and optionally by Input Number. However, two additional features allow the user to inspect the current status of an input or to measure the flash rate of a flashing circuit.

To access any of the Browse options press the **Browse** key. The following message will appear.

```
Browse:  
Event Records  
Input Status  
Flash Rate
```

Each of the three options are described in the sections that follow.

Event Records

After selecting the Events option a table of dates similar to the following will be displayed.

```
040606 040706 040806  
040906 041006 041106  
041206 041406
```

At least one Event Record must be logged for each date listed. Dates are listed in the MMDDYY format. The Events option may list as many as 128 dates. Only eight dates are listed in the example cited above. The up and down arrow keys can be used to scroll quickly through a large collection of dates. Press the **Enter** key after highlighting a date. The display will then specify a start time as shown below.

```
Browse Event Records  
Start Time: 00:00:00
```

Press the **Esc** key if records starting from midnight are to be inspected. To inspect records starting later in the day perform the following steps.

1. Using the left and right arrow keys position the highlight in the hour, minute or second field.
2. Press the **Enter** key to select the highlighted field.
3. Enter the required hours, minutes or seconds by pressing the appropriate numeric keys. Leading zeros are not required.
4. Press the **Enter** key to complete the entry.
5. Repeat the previous steps to adjust the remaining fields.

After the correct starting time is specified the **Esc** key should be pressed. The following message describing the use of the arrow keys will be briefly displayed.


```
Use ←→↑↓ to scroll,
Browse to select
input to query
```

Provided the **Browse** key has not been pressed, the first Event Record meeting the specified date and time criteria will be displayed. Refer to “Event Record Format” on page 60. The left and right arrow keys can be used to review Event Records in forward or reverse chronological order.

Tip Holding down an arrow key allows the user to search through the record set very quickly.

The limits of the record set will be indicated by a message stating either “Start of Data” or “End of Data”. To exit Browse Mode and return to Idle Mode press the **Esc** key.

Press the **Browse** key any time after the start time is specified to inspect records for a particular input. This procedure is referred to as Query by Input Number.

Query by Input Number

To inspect Event Records for a specific input press the **Browse** key after the starting time is specified. The following message will be displayed.

```
Input to query,
(--- selects all)
---
```

A flashing highlight will be positioned in the Input Number field located in the third row of text. To specify an input follow the steps listed below.

1. Press the **Alpha** key repeatedly until the desired input type (i.e., D, A, V, T or S) is displayed.
2. Press the appropriate number keys to enter the Input Number. Leading zeros are not required.
3. Press the **Enter** key to display the first Event Record satisfying the date, time and Input Number criteria. Several seconds may be required to locate the first record.
4. Use the arrow keys to inspect additional records for the specified input.

The **Browse** key can be pressed again at any time if a different input is to be inspected. Press the **Esc** key to exit the Query by Input Number procedure and return to Idle Mode.

Note The CWR-72 will log an Event Record to memory when the power is turned off as well as on. Additionally, a record will be logged if the measured temperature is outside the Temp Limits assigned by the user. These records are referred to as System Records and are associated with S type inputs. Refer to the section entitled “System Events” on page 91 for additional details.

Printing a Record While in Browse Mode

The CWR-72 is equipped with a printer port that can be used with commonly available inkjet or laserjet printers. Provided a printer is connected it can be used to create a hard copy of any record displayed at the LCD while the user is in Browse Mode and using the Event Record option.

To print the Event Record displayed at the LCD simply press the **Print** key. The user must then press the “Page Eject” button at the printer. The printer must be connected to the Printer Port, powered on, online and supplied with paper. The record will be printed in the All Details form. Refer to the section entitled “Event Record Formats” on page 53 for additional information.

Tip Only one Event Record will be printed when the **Print** key is pressed. To print a greater number of records press the **Print** key while in Idle Mode. Refer to “Printing Records While in Idle Mode” on page 62.

Input Status

The Input Status option allows the user to inspect the current state of each input. The status of Digital, Analog and Virtual Inputs is indicated by their assigned Event Names. Voltage and current measurements are reported for Analog Inputs. The Input Status feature can be of great use when setting up the recorder. Without a peripheral device the user can verify that inputs are assigned proper Input Identifiers and Event Names. Each input can be checked to verify that it will report a change of state. Additionally, the command provides a DVM-like function for each Analog Input.

After selecting the Input Status option the following message will be displayed briefly.

```
Use ←→↑↓ to scroll,  
Browse=select input
```

The arrow keys can be used to scroll from one input to the next. Digital Inputs are followed by Analog Inputs. They are followed by Virtual Inputs. Rather than use the arrow keys to scroll sequentially through each input the user can jump to a specific input by pressing the **Browse** key. Select the input using the procedure described in “Query by Input Number” on page 65.

Sample status data for each input type is listed below.

```
D01  
NS_Gate_Down_Relay  
GateDwn      Down
```

LCD Input Status - Digital Input

```
A01
AC_Power_120V
AC_Power      AC_Fail
                89Vac
```

LCD Input Status - Analog Input

```
V03
Lamp_Fail_Test
VInput03      Test:OK
```

LCD Input Status - Virtual Input

The Input Number and Input Name are listed in the first and second rows, respectively. The Input Identifier and Event Name are listed in the third row. The fourth row is used to report analog levels. The data listed is updated automatically and in real-time. Without the aid of a PC the user can check the sequence of events at a crossing or while a control function is being exercised. Press the **Esc** key to exit the Input Status feature and return to Idle Mode.

Flash Rate

The third option included with the Browse command allows the user to measure the flash rate of a circuit. The following request for a Digital Input number will be displayed after selecting the Flash Rate option.

```
Measure Input:D01
```

The user must enter the number of the flashing input (1-64). Leading zeros are not required. Press the **Enter** key to complete the entry. Flash rate data similar to the following will be displayed.

```
Measure Input:D01
Flashes/Min: 46.5
On/Off: 0.65/ 0.64
Cycle Time: 1.29
```

The Input Number and flash rate, measured in flashes per minute, are listed in the first two rows. The average on and off intervals of each flash pulse, measured in seconds, are listed in the third row. The lesser value is the optimum value to be assigned as the Detection Time for inputs using the reported flash rate. The sum of the average on and off intervals is reported as the cycle time in the fourth row.

Press the **Esc** key to exit the Flash Rate command and return to Idle Mode.

Setup Mode

Setup Mode allows the user to set up the CWR-72 to a specific set of application requirements. The various commands that can be executed from the keypad form a subset of those performed via a peripheral device. Only a few commands are not applicable to the keypad (e.g., Transfer Files). The results from any keypad-performed command are indistinguishable from those performed from a peripheral device. Accordingly, the setup descriptions that are a part of Chapter 2 may be used to provide a more detailed explanation of the keypad commands.

To enter Setup Mode from Idle Mode press the **Setup** key. The following message will be displayed. The user must enter the correct Passcode before any setup command can be executed.

```
Enter the passcode:
```

Note The factory default Passcode is **12345678**.

Passcodes are assigned numeric values only. Press the **Enter** key to complete the entry. If the user fails to enter the correct Passcode an error message will be displayed.

Assuming the correct Passcode is entered the following message will be briefly displayed.

```
Use ←→↑↓ to select  
items and then ENTER
```

The Setup Menu of front-panel-accessible commands will then be displayed as shown below.

```
Clock  Dst    CSync  
UName  ENames INames  
Analog Virtual DTime  
GDTime Timer  TLimits
```

Main Menu - LCD

Moving the highlight beyond the limits of the first menu will display the following additional commands.

```
PCode  Modem  Baud  
Speed  Print  Diag  
RESET
```

The Setup Menu consists of nineteen commands. Table 4 provides a brief explanation of each command. To select a command advance the highlight to the desired command and press the *Enter* key. The use of each command is explained in the final sections of this chapter.

Name	Description
Clock	Set date and time
Dst	Enable Daylight Saving Time
CSync	Assign Clock Sync Input
UName	Create Unit Name
ENames	Create Event Name pairs
INames	Create Input Names and Identifiers Assign Event Name pairs
Analog	Configure Analog Inputs
Virtual	Configure Virtual Inputs
DTime	Assign Detection Times
GTime	Assign Detection Time to all Digital Inputs
Timer	Configure Timer Inputs
TLimits	Assign Temperature Limits
PCode	Create Passcode
Modem	Assign Dial Numbers and Ring Count
Baud	Select Terminal Port Baud rate
Speed	Configure Train Speed Monitors
Print	Print all or part of Setup Database
Diag	Perform system diagnostics
RESET	Erase all Event Records Restore Setup Database to factory default values

Table 4 - Front Panel Setup Commands

Before proceeding the user should note that several of the commands require alphabetic characters to be used in the creation of a name or label (e.g., Input Name). The keypad, however, contains only numeric and function keys. A special Alphanumeric Editing Procedure which is a feature of all MICRO-AIDE Event Recorders allows the user to create names and labels from an extensive set of characters. This procedure is described below.

Alphanumeric Editing Procedure

The first step in the Alphanumeric Editing Procedure is to select the parameter that is to be edited (e.g., Input Name or Input Identifier). A flashing highlight is used to indicate a specific parameter. To select the highlighted parameter press the *Enter* key. A blank field of characters will be displayed. An underscore (i.e., _) will be positioned in the first character location. The underscore

character is used as a cursor in the Alphanumeric Editing Procedure. The left and right arrow keys can be used at any time to position the cursor as required. To create an alphanumeric name perform the following steps.

1. Press the **Alpha** key. The following list of characters will be displayed.

```
ABCDEFGHIJKLMNOPQRSTUVWXYZ  
UVWXYZ !"#%&'()*+,-/  
abcdefghijklmnopqrstuvwxyz  
uvxyz :;<=>?@[ ]^_{|}
```

2. Using the arrow keys reposition the highlight until the desired character is highlighted. A total of eighty characters plus ten numbers are available for selection.
3. Press the **Enter** key to select the highlighted character. The selected character is placed into the name at the present location of the cursor. The cursor is then automatically moved one position to the right.
4. To enter a number into the name press the appropriate number key. To correct an error reposition the cursor under the character in error and overwrite it with a new character. To insert a space, assuming no characters have been inserted to the right, simply move the cursor to the right. The space character follows the upper-case Z in the character set.
5. Repeat the previous steps until the name is completed.
6. Press the **Enter** key to accept the newly defined name. Alternatively, press the **Esc** key to retain the previously assigned name or to start again by ignoring all of the character entries.

Clock

The Clock command is used to change the date or time. The time is always listed in 24-hour, military-style format (e.g., 7:00 PM is listed as 19:00:00). In accordance with this convention the user must enter the time by using the same format. The date is always listed in MM-DD-YY format as shown below.

```
Time: 16:07:09  
      MM-DD-YY  
Date: 04-06-06  
      Thursday
```

To change the date or time position the highlight in one of the numeric fields. Press the **Enter** key. Enter a valid one- or two-digit number (leading zeros are not required). Press the **Enter** key to accept the new value. Adjust the other fields as required.

Note The day of week is automatically calculated by the CWR-72 based upon the day, month and year selected by the user.

Press the **Esc** key after the changes have been made. The following message will be displayed.

```
Change the clock now
      Yes  No
```

To complete the command press the **Enter** key after selecting the desired option.

Tip The real-time clock used by the CWR-72 can be synchronized to an external source by use of the Clock Sync Input feature. Refer to the section entitled “Clock Sync Input” on page 24.

Dst

The Dst command is used to enable or disable the Daylight Saving Time (DST) setting. The following message will be displayed after selecting the Dst command.

```
Daylight Saving Time
Enabled
```

To enable or disable the automatic adjustment for DST, simply press the **Enter** key to change the current setting. Press the **Esc** key to accept the displayed setting and complete the command.

CSync

The real-time clock used by the CWR-72 can be synchronized to an external source by use of the Clock Sync Input feature. Refer to “Clock Sync Input” on page 24 for additional details.

To synchronize the real-time clock a Digital Input must be assigned as the Clock Sync Input. The following message will be displayed after selecting the CSync command.

```
Clock Sync Input:---
```

The field labeled “---” is the place holder for the Digital Input number. A valid Input Number may instead be listed if one was previously assigned. Press the **Enter** key to edit the field. Press the **Alpha** key to select a Digital Input. The D designator will appear. Press the appropriate number keys to select the Input Number. Complete the command by pressing the **Enter** key or **Esc** key to accept the new assignment or ignore the change, respectively.

Tip To disable the Clock Sync Input feature press the **Enter** key and then the **Alpha** key. The displayed Input Number will return to the --- setting. Complete the entry by pressing the **Enter** key again.

UName

The UName command is used to assign a unique name to each CWR-72 recorder. Refer to the section entitled “Unit Name” on page 22 for additional details. A message similar to the following will be displayed after selecting the UName command.

```
Unit name:  
***** NOT SET *****
```

The first twenty characters of the existing Unit Name are displayed in the second line of text. The default Unit Name is displayed in the sample data cited above. To change the name press the **Enter** key. Assign a new name or modify the existing name by using the “Alphanumeric Editing Procedure” on page 69. Press the **Esc** key to complete the command.

Note Due to restrictions in the size of the LCD panel the UName command can be used to assign a Unit Name limited in length to twenty characters. Lengthier Unit Names (up to eighty characters) must be assigned by selecting the Unit Name command from the Main Menu.

ENames

Event Names are created by the user to uniquely identify Event Records. By way of example only, the state of an input can be labeled as “Up” or “Down” or “GateUp” or “GateDwn”. Event Names add clarity to Event Records that would otherwise not be possible if input states were labeled as only “On” or “Off”. Event Names are always assigned in pairs to identify the active and inactive state of an input. As many as sixteen Event Name pairs can be assigned. Refer to the section entitled “Event Names (E)” on page 30 for additional details.

Data similar to the following will be displayed after selecting the ENames command.

```
Event ON      OFF  
01 FlashOn   FlashOff  
02 AC_Fail   Norm_AC  
03 On        Off
```

Three Event Name pairs are displayed at one time. The number (i.e., 1 to 16) of the pair is listed at the start of each row. It is followed by the currently assigned active or On Event Name (e.g., FlashOn) and the existing inactive or Off Event Name (e.g., FlashOff). To create a new name or modify an existing name select the Event Name pair by pressing the up or down arrow keys to advance through the list of sixteen pairs. Use the left and right arrow keys to select either the on or off field. Press the **Enter** key. A blank field with a cursor in the left-most position will be displayed. Use the “Alphanumeric Editing Procedure” on page 69 to create a new name. Use the same procedure to modify additional names.

INames

The INames command is a multi-purpose command that allows the user to assign Input Identifiers, Input Names and Event Name pairs to each input of the recorder. Input Identifiers and Input Names allow the user to interpret Event Records more precisely by referring to inputs with labels that are unambiguous (e.g., Track Switch Control vs. Digital Input 19). Refer to the section entitled “Input Names/Identifiers (I)” on page 31 for additional details.

Data similar to the following will be displayed after selecting the INames command.

```

D01      ID: DInput01
Digital Input 01
Event ON/OFF pair:
01 On      Off
```

The Input Number is always displayed in the upper left-hand corner. To select a different input press the up or down arrow keys repeatedly. Alternatively, press the **Browse** key to jump to a different input. Press the **Alpha** key repeatedly until the desired input type is displayed (i.e., D, A, V or T). Enter an Input Number by pressing the appropriate number keys. Leading zeros are not required. Press the **Enter** key to jump directly to the selected input.

The field labeled “ID” will initially be highlighted. Move the highlight to the second row to select the Input Name. Press the **Enter** key to modify the highlighted assignment. A blank field with a cursor in the left-most position will be displayed. Use the “Alphanumeric Editing Procedure” on page 69 to create a new Input Identifier or Input Name.

To assign an Event Name Pair to a specific Input Number move the highlight to the fourth row. Press the **Enter** key repeatedly until the desired Event Name pair (i.e., 1 to 16) is displayed. Each time the **Enter** key is pressed the fourth line of text will be automatically updated to reflect the contents of the selected Event Name pair. Pressing the **Enter** key while pair number sixteen is displayed will return the user to pair number one. After all of the names and pairs are assigned press the **Esc** key to complete the command.

Analog

The Analog command is used to configure the eight Analog Inputs of the CWR-72. Each Analog Input can be used to monitor AC or DC voltages or currents. Like a DVM, the CWR-72 can report its measurements using several different scales and resolutions. Analog Inputs that vary beyond an acceptable range of operation can be reported by setting appropriate Limit Values. Refer to the section entitled “Low and High Limits” on page 28 for additional details.

Data similar to the following will be displayed after selecting the Analog command.

```

A01 Range:+/-25.5Vdc
Filter:      Slow
High Limit:  25.5
Low Limit:   -25.6
```

The Analog Input number is displayed in the upper left-hand corner. To select a different Analog Input press the up or down arrow keys repeatedly. Alternatively, press the **Browse** key to jump to a different input. Specify the Input Number by pressing the appropriate numeric keys. Leading zeros are not required. Press the **Enter** key to jump directly to the selected input. The first row also indicates the Range setting. The Filter setting and High and Low Limit values are listed in the remaining rows.

To change the Range setting, highlight the existing setting and press the **Enter** key until the desired Range is displayed. The sequence of possible Range settings is $\pm 25.5\text{Vdc}$, $+51.1\text{Vdc}$, $\pm 255\text{Vac}$, 25.5Vac , 255Vac , $\pm 25.5\text{Adc}$ and 25.5Aac .

Note The Range setting for Analog Input A8 cannot be changed. It is permanently set to $+51.1\text{Vdc}$. Analog Input A8 is internally connected to the B and N power source terminals.

The Filter setting controls the amount of smoothing the measured signal is subjected to. AC signals require the Slow setting to remove their ripple content. DC signals can generally use either the Slow or Fast setting. To toggle the existing setting simply press the **Enter** key.

Note All AC voltage and current measurements are reported in RMS units.

The Limit Values can be set separately. They cannot exceed the bounds of the Range setting. To change an existing setting highlight the value and press **Enter**. Use the number keys to enter the new value. Enter fractional and negative values by using the decimal and minus keys, respectively. After the new settings have been assigned press the **Esc** key to complete the command.

Virtual

Virtual Inputs allow the CWR-72 to identify and report a variety of signal conditions that may be of interest to the user. Generally, these conditions will refer to anomalies in the state of several relay circuits. High or low analog levels may also be of special concern to the user. The sixteen Virtual Inputs of the CWR-72 are configured by use of the Virtual command. Refer to the section entitled “Virtual Inputs (V)” on page 32 for additional information.

Data similar to the following will be displayed after selecting the Virtual command.

```
V01 (SETUP=function)
Uses:--- --- --- ---
Relays: 1=No 2=No
Dial Out:      No
```

In the sample data cited above Virtual Input number 1 has not been assigned. It retains its default settings. The Virtual Input number is displayed in the upper left-hand corner. To select a different Virtual Input press the up or down arrow keys repeatedly. Alternatively, press the **Browse** key to jump to a different input. Specify the Input Number by pressing the appropriate numeric keys. Leading zeros are not required. Press the **Enter** key to jump directly to the selected input.

The second line of text includes four place holders for variables. Variables are Digital, Analog, Timer or other Virtual Inputs. The procedure for assigning variables is described below.

Each Virtual Input can selectively operate the two internal relays of the CWR-72. Press the *Enter* key to toggle either of the two existing Relay settings from No to Yes or vice versa. Virtual Input records can be transmitted to a remote maintenance facility provided the CWR-72 is equipped with an internal modem. Press the *Enter* key to toggle the existing Dial setting.

Assigning Variables

A variable can be any valid Digital, Analog, Timer or other Virtual Input. To assign variables complete the steps listed below.

1. Press the left and right arrow keys to locate the highlight in a place holder field.
2. Press the *Enter* key.
3. Press the *Alpha* key until the desired input type designator appears (i.e., D, A, V or T).
4. Enter the desired Input Number by pressing the appropriate number keys.
5. Accept the new entry by pressing the *Enter* key.
6. Repeat the preceding steps if additional variables are required.

The final step is to select the states that each variable assumes in defining a Virtual Input.

Selecting States

A Virtual Input can be thought of as a logical relationship shared by one to four inputs. Accordingly, the state a Virtual Input assumes is dependent upon the state of each assigned variable. It follows that a Virtual Input dependent upon one variable is defined by a combination of two states. Two variables yield a combination of four states. Three variables yield eight states. Four variables yield sixteen states. Selecting states involves the assignment of a Virtual Input state for each combination of variable states.

Press the *Setup* key after all of the variables have been assigned. Data similar to the following will be displayed.

Virtual Output Funct
----Inputs---- Out
D48 D07 A08 --- V03
Off Off Off Off

For the sample data cited above three of four possible variables have been assigned to Virtual Input V3. The third line of text lists the assigned variables by Input Number. It also lists the selected Virtual Input. The fourth line of text lists a specific combination of states for the assigned variables. The right-most field indicates the state the Virtual Input assumes for the combination of variable states listed.

Variable and Virtual Input states always assume one of two values. Each value is described below.

- **On:** The Digital Input voltage is in the range from 5 to 40Vdc. The Analog Input level is outside the acceptable range as defined by the region between the Limit Values (refer to

Figure 4 on page 28). The Virtual Input evaluates to a true logic state. The Timer Input has measured a delay that is less than or greater than its Low Limit or High Limit value, respectively.

- **Off:** The Digital Input voltage is less than 2Vdc. The Analog Input level is within the acceptable range as defined by the region between the Limit Values. The Virtual Input evaluates to a false logic state. The Timer Input has measured a delay that is within the range of its Limit Values.

Press the **Enter** key to toggle the state of the Virtual Input from Off to On or vice versa. This setting will apply only to the combination of variable states currently displayed. To define the Virtual Input for the next combination press the down arrow key. Listed below are the eight variable state combinations associated with the Virtual Input described previously. Each combination can be selected in the sequence listed by pressing the up or down arrow keys.

D48	D07	A08	---	V03
Off	Off	Off		Off
On	Off	Off		Off
Off	On	Off		Off
On	On	Off		Off
Off	Off	On		Off
On	Off	On		Off
Off	On	On		Off
On	On	On		Off

In the sample data cited above the state of the Virtual Input is set in all cases to its initial value of Off. Change the state of the Virtual Input as required by the remaining variable states. Press the **Esc** key to accept the new settings and complete the command.

DTime

The Detection Time feature of the CWR-72 is used to prevent relay contact bounce from logging false Event Records. The Detection Time can be set to any value in the range from .00 to 327.67 seconds. A value of zero prevents the input from detecting events. The DTime command is used to establish a unique Detection Time for each Digital Input. The command is also used to enable an input as a Flashing Input. Refer to “Detect Times/Flash Enable (D)” on page 24.

Data similar to the following will be displayed after selecting the DTime command.

Inp	DetTime	Flashing
D01	3.00	No
D02	3.00	No
D03	3.00	No

The default settings are displayed in the sample data cited above. The Digital Input number is listed at the start of each line. Press the up or down arrow keys repeatedly to select a different input. Alternatively, press the **Browse** key to jump to a different input. Specify the Input Number

by pressing the appropriate numeric keys. Leading zeros are not required. Press the **Enter** key to jump directly to the selected input. To change the Detection Time for the selected input press the **Enter** key while the existing value is highlighted. A blank field with a cursor in the left-most position will be displayed. Enter a value by pressing the appropriate number keys. Use the decimal point (labeled “↑/.”) to enter a fractional value. Leading zeros are not required. Press the **Enter** key to accept the new value.

To set an input as a Flashing Input position the highlight in the Flashing field. Press the **Enter** key to change the existing setting. Yes enables the input as flashing. No disables the input.

After all of the new settings have been assigned press the **Esc** key to complete the command.

GDTIME

Use the Global Detection Time command to assign a common Detection Time value to all Digital Inputs. Data similar to the following will be displayed after selecting the GDTIME command.

```
GLOBAL
Detect Time: 0.00
```

To change the Detection Time for all inputs press the **Enter** key. A blank field with a cursor in the left-most position will be displayed. Enter a value by pressing the appropriate number keys. Use the decimal point (labeled “↑/.”) to enter a fractional value. Leading zeros are not required. Press the **Enter** key to accept the new value. Press the **Esc** key to complete the command.

Note The Detection Time of Digital Inputs assigned as sensors for the Train Speed Monitor feature cannot be altered by the DTime or GDTIME commands.

TIMER

The CWR-72 is equipped with 32 general purpose Timer Inputs. Refer to the section entitled “Timer Inputs (W)” on page 29 for additional information. To configure a Timer Input via the front panel select the Timer LCD command. Data similar to the following will be displayed.

```
T01 Frm:--- Evt:Off
      To:--- Evt:Off
      LowLim: 0.0
      HighLim: 0.0
```

The presently selected Timer Input is always displayed in the top-left corner (e.g., T01). To change the input press the up or down arrow keys repeatedly. Alternatively, jump to a specific input by pressing the **Browse** key and then the appropriate number keys. Complete the entry by pressing the **Enter** key.

To select the From and To Inputs move the highlight to the appropriate field and press the **Enter** key. Press the **Alpha** key repeatedly until the desired input type designator appears (i.e., D, A or V). Press the appropriate number keys. Complete the entry by pressing the **Enter** key.

Select the desired event setting by moving the highlight to the correct field and then pressing the **Enter** key. The current setting will be toggled between On and Off.

Finally, assign the Low and High Limit Values by locating the highlight as needed and pressing the **Enter** key. Press the appropriate number and/or decimal keys to assign a value. Complete the entry by pressing the **Enter** key.

Select another Timer Input and repeat the preceding steps as necessary. After all of the required Timer Inputs are configured terminate the command by pressing the **Esc** key.

TLimits

The TLimits command allows the user to assign a High and Low Limit against which the internal temperature of the recorder is compared. If the temperature is found to be outside the acceptable limits of operation an Event Record will be logged to memory. A second record will be logged when the temperature recovers to a normal level.

Data similar to the following will be displayed after selecting the TLimits command.

```
Temperature Limits:
High Limit:      257
Low Limit:       -67
```

The default Limit Values are listed above. To change a Limit Value move the highlight to the appropriate field and press the **Enter** key. Enter a number using the number keys. Negative values can be entered. Accept the new value by pressing the **Enter** key.

Note The internal temperature and Limit Values are reported in degrees Fahrenheit.

PCode

The Passcode feature prevents unauthorized users from altering the Setup Database via the front panel. Passcodes can contain any combination of numeric values not exceeding eight total.

A message similar to the following will be displayed after selecting the PCode command.

```
Passcode: 12345678
```

In the sample data cited above the Passcode is set to its default value. To change the Passcode press the **Enter** key. A blank field with the cursor in the left-most position will be displayed.

Assign a new Passcode by pressing the appropriate number keys. To assign a null Passcode press the **Enter** key instead. This will effectively disable the Passcode protection feature. Access to the recorder will be permitted by simply pressing the **Enter** key when the request for Passcode message is displayed.

Accept the new Passcode by pressing **Enter**. Press the **Esc** key to complete the command.

Tip If the user forgets the assigned Passcode the System Parameters command should be executed. It will display the current Passcode assignment. Refer to “System Parameters (S)” on page 21.

Modem - optional

The CWR-72 can be equipped with an optional, internal 33,600 Baud modem. The modem option allows remote users to access the recorder. Additionally, the modem’s dial out feature allows Event Records from Virtual Inputs to be transmitted to a remote maintenance center.

There are three parameters that control the operation of the modem. The Ring Count determines the number of rings that must occur prior to the modem answering an incoming call. The Primary and Secondary Dial Numbers identify the number to dial when attempting to transmit a Virtual Input record. Refer to “Primary and Secondary Dial Numbers” on page 23 for additional information regarding these parameters.

Data similar to the following will be displayed after selecting the Modem command.

```
Modem ring count: 2
Prim/Sec Dial Number
626-915-5502
626-331-9484
```

To change the Ring Count setting move the highlight to the appropriate field and press the **Enter** key. Enter a number in the range from 0 to 99. Accept the new value by pressing the **Enter** key. A setting of zero will prevent the modem from answering incoming calls.

To assign a Primary or Secondary Dial Number move the highlight to the third or fourth row, respectively. The existing assignment will be highlighted. Press the **Enter** key. A blank field with the cursor in the left-most position will be displayed. Enter a valid dial number by pressing the appropriate number keys. The “Alphanumeric Editing Procedure” on page 69 can be used to insert non-numeric characters such as a comma to insert a two-second pause. Press the **Enter** key to accept the new assignment. Complete the command by pressing the **Esc** key.

Baud

The Baud command allows the user to assign a Baud rate to the Terminal Port. A message similar to the following will be displayed after the Baud command is selected.

```
300    600    1200
2400   4800   9600
19200  38400  57600
115200
```

It is likely that the 38,400 setting will be highlighted. It is the default setting used by the recorder. To assign a new Baud rate move the highlight to the desired setting by pressing the arrow keys. Press the **Enter** key to accept the new selection. The Baud rate of the peripheral device attached to the Terminal Port must be changed to match the new setting.

Speed

The Speed command is used to configure the four Train Speed Monitors. Once parameters that comprise the feature are set the recorder will report train speeds and instances of excessive speed. Refer to the section entitled “Measure Speed (M)” on page 35 for additional information regarding these parameters. Train speeds are reported via Event Records that are logged to memory.

Data similar to the following will be displayed after selecting the Speed command.

```
01: Sensor1: ---
      Sensor2: ---
Distance:    0 feet
Threshold:   0 MPH
```

There are four distinct parameters that must be assigned per monitor. The selected monitor (1 through 4) is always displayed in the top-left corner. To change the selected monitor press the up or down arrow keys repeatedly. Alternatively, jump to a specific input by pressing the **Browse** key and then the appropriate number keys. Complete the entry by pressing the **Enter** key.

Both sensors must be assigned a valid Digital Input number. To assign a Digital Input highlight the appropriate field. Press the **Enter** key followed by the **Alpha** key. Enter a numeric value from 1 to 64. Leading zeros are not required. Complete the input assignment by pressing the **Enter** key.

The separation between the two sensors is used to set the Distance parameter. It can be set to any value in the range from 50' to 5280'.

Trains with monitored speeds in excess of the Threshold value will be identified by a unique Event Record. The Threshold value must be in the range from 5 to 180mph. Setting either the Distance or Threshold parameters to zero will disable the selected Train Speed Monitor. Complete the command by pressing the **Esc** key.

Print

The Print command allows the user to create a locally generated printout of all or selected portions of the Setup Database. The following menu of options will be displayed after selecting the Print command.

```

Item to Print All
ENames INames DTimes
Analog Timer Speed
Virtual System

```

Before executing one of the Print options the printer must be connected to the Printer Port of the CWR-72. A standard parallel printer cable is required. The printer must be turned on, online and supplied with paper. The user must remember to press the “Page Eject” button at the printer to print the last page of the report.

Tip The default or currently selected font of the printer will be used by the print feature. To improve the readability of the report the printer should use a mono-spaced font like COURIER. This will force the characters in each row of the report to line up in straight columns.

An error message will be displayed if the printer is not turned on, is not online or is not loaded with paper. The problem should be corrected and another attempt performed.

Diag

The Diag command is used to test five critical recorder elements. They include the program memory, Event Record memory, optional modem, internal relays and temperature inside the recorder. Each test can be performed at any time and is completely non-destructive. The contents of the Setup Database and Event Record memories will remain unmodified.

The following data will be displayed after selecting the Diag command.

```

Select Item to Test:
Checksum Flash
Modem Relays
Temp

```

The highlight will initially be positioned over the Checksum field. To select a different test, position the highlight in the desired field. Press the *Enter* key to perform the test. Each test is described in the following sections.

Checksum

A checksum will be calculated and displayed after a few seconds. The results of a typical Checksum test are listed below.

```
Program memory  
Checksum=2D00  
  
Hit any key...
```

Note The reported checksum value will vary depending upon the version of the installed firmware.

Flash

The results of a typical Flash test are listed below.

```
Flash Memory  
#1:2048K  
  
Hit any key...
```

The Flash test verifies that the microprocessor can properly access the Event Record memory. The reference to 2048K may instead read 4096K if a larger capacity Flash Memory chip is used. A value of 0K indicates a failure has been detected. The displayed readings should always be compared to the known or expected memory capacity of the recorder.

Modem

Either of two results should normally be expected from the Modem test. The following response verifies that a modem is installed and that the microprocessor is able to communicate with the modem. A typical test takes a few seconds for the microprocessor to complete.

```
Modem Test...  
Modem found:H  
  
Hit any key...
```

The “H” reference listed above indicates that the CWR-72 is equipped with a Silicon Labs modem. A “33600” reference indicates that a Conexant modem is installed. A “NONE” reference indicates that the modem has been removed or has failed.

Relays

The following message will be displayed after the Relays test is selected.

```
Relay 1: 1=ON, 2=OFF  
Relay 2: 4=ON, 5=OFF
```

Press the **1** or **4** key to energize the selected relay. Press the **2** or **5** key to un-energize the selected relay. The internal relay and any circuitry attached to the relay contacts will be tested. Press the

Esc key to complete the test. The relay will immediately assume the un-energized state when the **Esc** key is pressed. Press any key to exit the test.

Temp

The Temp command reports the temperature inside the recorder. A typical response follows.

```
Temp 89 Degrees F
Hit any key...
```

The temperature is always reported in degrees Fahrenheit.

Caution The measured temperature inside the CWR-72 will generally be about 10°F to 15°F warmer than the surrounding ambient temperature. Temperature readings should never exceed 180°F.

Note The user may wish to contact MICRO-AIDE customer service if a failure occurs as the result of any diagnostic testing. Instructions on how to proceed will be offered. Material Return and Limited Warranty policies are described on the inside back cover of this manual.

RESET

The Reset command should be used with caution. It allows the user to selectively restore the entire Setup Database to its factory default values or to clear the Event Record memory. Refer to “Reset System (R)” on page 19 for additional information.

The following message will be displayed after the Reset command is selected.

```
Select Item to Erase
Set Factory Defaults
Erase Event Memory
```

To restore the entire Setup Database to its default settings highlight the Set Factory Defaults field and press the **Enter** key. Select Yes to perform the reset or No to ignore the reset.

To completely erase all of the Event Records from the event memory highlight the Erase Event Memory field and press **Enter**. Select Yes to perform the reset or No to ignore the reset.

Caution It is important that the user not turn off power to the CWR-72 for 60 seconds after initiating a reset of the Event Record memory.

This concludes the chapter on how to operate the recorder from the front panel. Since the setup of the recorder is critical to how the CWR-72 will perform, it is advisable to review any changes that may have been made to the Setup Database.

The next chapter describes general maintenance techniques that may benefit the user in case a problem symptom is ever encountered.

MAINTENANCE

Introduction

The primary purpose of this chapter is to describe the recommended trouble-shooting methods to be used with the CWR-72. It should be referred to if ever a questionable symptom arises during the operation of the recorder.

The CWR-72 is designed to provide its user with many years of trouble-free operation. There are no user serviceable parts inside the unit. There are no consumable items or supplies that need to be replaced or replenished. The user may occasionally need to wipe dust away from the external surfaces of the unit. This should be done with a clean, dry cloth. The mechanical design of the chassis provides the internal electronic assemblies with a nearly sealed environment. Due to the low power consumption of the unit ventilation holes are not required. The inside of the recorder should remain clean indefinitely. Additionally, MICRO-AIDE printed circuit boards (PCBs) are sealed with a moisture and fungus resistant conformal coating.

Adjusting the LCD Contrast

The contrast level of the LCD panel may occasionally need to be adjusted to compensate for extreme variations in ambient temperature. To adjust the contrast level simply adjust the potentiometer labeled “Adj”. It is accessible through a small hole in the cover assembly.

Working Inside the Recorder

The user may have occasion to work inside the unit to configure several switch settings. The following sections describe tasks involving work that may be performed inside the recorder. Observe the steps listed below before attempting any task. Refer to Figure 1 on page 8 and Figure 2 on page 9. They illustrate the front and end views of the recorder, respectively.

1. Remove power from the recorder by detaching the connector labeled “Pwr” located along the left end panel of the recorder.
2. Remove all of the Analog and Digital Input connectors and peripheral cables.
3. Remove the recorder from the shelf or equipment rack.
4. Remove the four 6-32 1/4" screws from the top and bottom sides of the cover assembly. Move the cover assembly aside, being careful not to pull on the attached ribbon cables.

5. If the task requires that the cover assembly be completely removed, disconnect the cables that connect the Processor PCB to the Keypad and I/O PCBs.

The task can now be performed safely. After the work is completed reassemble the recorder by reversing the steps listed above.

Caution The Processor PCB is equipped with two potentiometers that are set and sealed at the factory. Do not attempt to alter these settings.

Caution Electrostatic discharges can cause serious damage to electronic components. When handling circuitry inside the recorder it is recommended that the user wear a wrist grounding strap.

Analog Input Switches (SW1)

There is a single DIP switch assembly mounted on the Processor PCB. It is referred to as the Analog Input Switch and is labeled “SW1”. The DIP switch assembly contains four switches. Labeling on the body of the switch assembly indicates the on and off positions for each switch. Refer to Figure 6 on page 87 to locate the described switch.

The Analog Input Switch is used to configure the CWR-72 for use with the CWR-CS Current Sensor. To assign an Analog Input to the Current Sensor the switch for that input must be closed. To assign the input as a voltage input the switch must be opened. Analog Inputs A1 through A4 use switch positions SW1-1 through SW1-4, respectively.

An Analog Input must be enabled as a voltage input or a Current Sensor input, never both. To ensure this, open the appropriate switch for voltage operation and make sure that nothing is connected to an Analog Input if it is assigned as a current input.

Caution Never connect a Current Sensor input to an Analog Input that has a voltage source connected. Damage to the Current Sensor or improper operation of the voltage source may result.

Installing the Optional Modem

The CWR-72 can be equipped with a 33,600 Baud internal modem. The optional modem provides accessibility to remote users of the recorder. Unlike commercially available external modems, the CWR-72 modem will operate over the entire temperature range applicable to the recorder. It uses the internal power of the CWR-72 rather than commercial AC power.

Generally, the Modem PCB is ordered at the time the recorder is purchased and is pre-installed at the factory. If the modem was not previously ordered the user may wish to install the modem after delivery of the recorder. To install the modem follow the steps listed below.

1. Completely remove the recorder’s cover assembly in accordance with the procedure entitled “Working Inside the Recorder” on page 85.
2. Locate the sixteen-pin male connector labeled “J3 MODEM” near the upper right-hand corner of the Processor PCB. The modem connector is illustrated in Figure 6 on page 87.

3. Temporarily remove the 6-32 1/4" screw and lock washer secured to the hex stand-off located near the modem connector.
4. Install the Modem PCB, component side up, by mating its sixteen-pin female connector with the Processor PCB connector. Use the 6-32 screw and lock washer to secure the modem to the hex stand-off. Reassemble the recorder.

When the CWR-72 is reinitialized the firmware will automatically detect the modem's presence and configure it for auto-answer and originate operation.

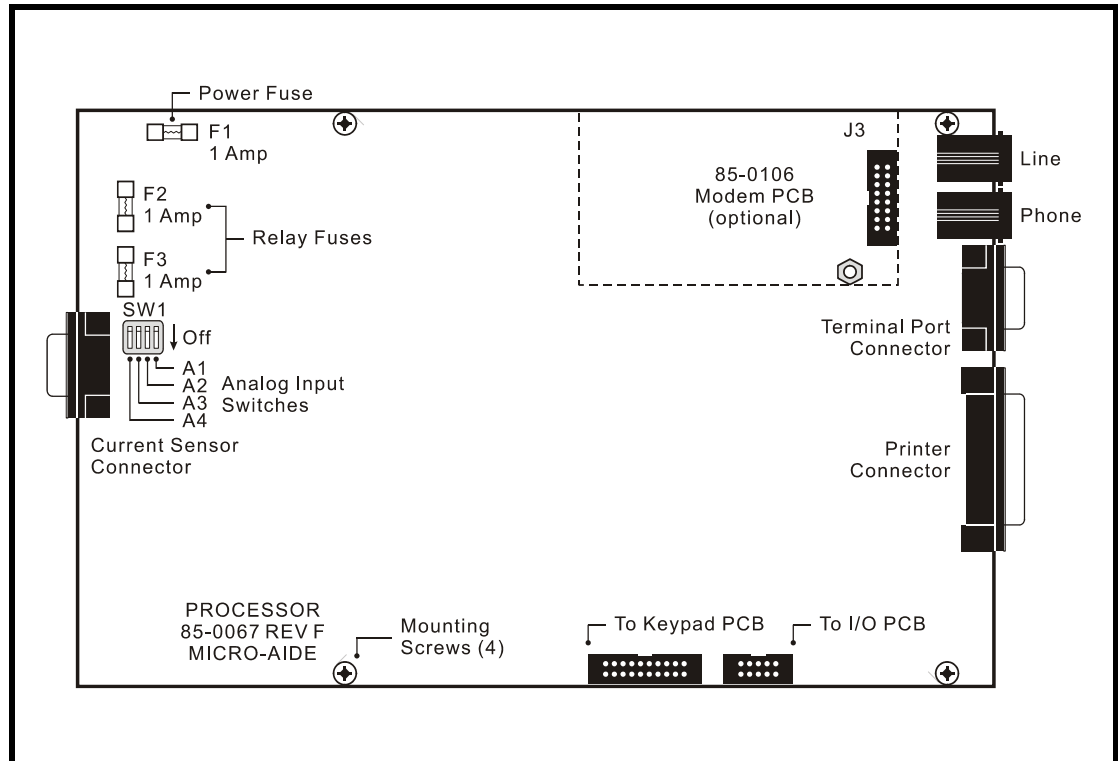


Figure 6 - CWR-72 Processor PCB

Replacing the Fuses

There are three fuses mounted on the Processor PCB. The fuses are designed to protect the input power source and the contacts of the two output relays. Each are rated at 1 A and conform to the 2AG size standard. Before replacing a fuse the cause of the blown fuse should be ascertained and cleared if possible.

Reconnecting the Internal Cables

There are two ribbon cables inside the CWR-72. The first ribbon cable connects the Processor PCB to the Keypad PCB and LCD panel. The second ribbon cable connects the Processor PCB to the I/O PCB. These cables have twenty and ten conductors, respectively. When removing the

cover assembly the keypad and I/O cables may need to be disconnected. To reconnect the cables simply seat them into their respective connectors. The connector end of each cable is keyed. Do not force the connector end into place. It should fit snugly but easily.

Diagnostic Testing

The Main Menu of commands for the CWR-72 includes the Diagnostics command. Refer to the sample data labeled “Main Menu” on page 11. The Diagnostics command can be used to quickly verify the operational integrity of several hardware elements of the CWR-72. Each of the six tests can be performed at any time. They are non-destructive and therefore will not alter the Setup Database or Event Record memories.

The following menu of commands will be displayed in response to selecting the Diagnostics command.

```
System Diagnostics
C Checksum Test Program Memory
F Flash Memory Test
M Modem Test
K Keypad Test
R Relay Test
T Temperature
```

Each command performs a specific test. The tests are described in the following sections.

Checksum Test Program Memory (C)

The Checksum Test reads every memory address location used to store the program code. As part of the reading process a checksum is calculated and displayed at the completion of the test. The same checksum must be calculated each time the test is performed. Any variation in the result is an indication of a problem.

A typical response to the Checksum Test Program Memory command is listed below.

```
Program Memory Checksum=2D00

Test Complete
Press any key to continue
```

The checksum takes only a few seconds to be calculated. The checksum value labeled “2D00” in the above example will vary with the version of the firmware installed in the recorder.

Flash Memory Test (F)

The Flash Memory Test is performed on the memory chip used to store Event Records. The test verifies that the microprocessor can access the Event Record memory.

A typical response to the Flash Memory Test command is listed below.

```
Flash Memory #1: 2048K
Test Complete
Press any key to continue
```

The reference to 2048K may instead read 4096K if a larger capacity Flash Memory chip is used. A value of 0K indicates a failure has been detected. The displayed readings should always be compared to the known memory capacity of the recorder.

Modem Test (M)

The Modem Test can be performed at any time to verify that the microprocessor can communicate properly with the internal modem. The test can be performed while the modem is idle or while a call is active.

Assuming that a modem is installed and it is operating properly there are two possible responses to the Modem Test command. Both responses are listed below.

```
Modem Test in progress...
Modem found: H

Test Complete
Press any key to continue
```

```
Modem Test in progress...
Modem found: 33600

Test Complete
Press any key to continue
```

The H and 33600 responses indicate that a Silicon Labs or Conexant modem is installed, respectively. If a modem is installed but none is indicated a problem has occurred and must be corrected.

Keypad Test (K)

Each of the twenty keys that comprise the front panel keypad can be checked by using the Keypad test. The following instructions are displayed after selecting the command.

```
Keypad test, press ESC to cancel
```

A single unique character is displayed in response to pressing a key. The correspondence between non-numeric keys and displayed characters is listed in Table 5, below.

Key	Browse	Alpha	Setup	Esc	Enter	Print	↑/.	↓/-	←	→
Displayed	B	A	S	E	N	P	^	v	<	>

Table 5 - Keypad Test Characters

To exit the test press the **ESC** key located at the keyboard of the peripheral device that is communicating with the CWR-72.

Relay Test (R)

The Relay Test allows the user to verify the operation of the internal relays and any alarm or indication circuitry connected to the contacts of the relays.

The following message will be displayed in response to selecting the Relay Test command. To energize a relay select one of the On options. To un-energize a relay select one of the Off options.

```

Relay Test
1 Relay 1 ON
2 Relay 1 OFF
4 Relay 2 ON
5 Relay 2 OFF
    
```

To exit the test press the **ESC** key. The relays will automatically assume an un-energized state.

Temperature (T)

The Temperature command simply reports the temperature inside the recorder. A typical response is shown below. The temperature is always reported in degrees Fahrenheit.

```

Unit Temperature 89 Degrees F

Test Complete
Press any key to continue
    
```

Note The measured temperature inside the CWR-72 will generally be 10°F to 15°F warmer than the surrounding ambient temperature. Temperature readings should never exceed 180°F.

Note The user may wish to contact MICRO-AIDE customer service if a failure occurs as the result of any diagnostic testing. Instructions on how to proceed will be offered. Material Return and Limited Warranty policies are described on the inside back cover of this manual.

System Events

Event Records are normally created by a change in state of an input. Exceptions to this rule concern the cycling of power to the recorder, variations in the measured temperature and events related to the Train Speed Monitor feature. The latter feature is described in the section entitled “Measure Speed (M)” on page 35.

Each time power to the CWR-72 is turned on or off an event will be logged into memory. If the temperature transitions into or out of the acceptable range of operation or the speed of a train is reported, an event will also be logged. These events are classified as System Events. To distinguish them the Input Number always includes an S-prefix (e.g., S01). Additionally, the Input Name, Identifier and Event Name fields within the record are uniquely labeled. They cannot be changed by the user. Table 6 lists the various fields used by each System Event Record.

Input Number	Input Name	Identifier	Event Name Pair
S01	System Power	Power	ON / OFF
S02	High Temperature	HighTemp	ON / OFF
S03	Low Temperature	LowTemp	ON / OFF
S04 to S07	Speed Monitor 1 to 4	SpeedLim	ON / OFF

Table 6 - System Event Records - Field Labels

System Events can be reviewed using any of the five formatting options. Record formats are described in the section entitled “Event Record Formats” on page 53. Listed below are five sample Event Records as they would appear at the PC. In the interest of simplicity only the No Details, single-line form is shown.

05:18:27.00	04/06/06	System Power	Power	OFF	S01
05:18:59.24	04/06/06	System Power	Power	ON	S01
14:11:51.00	04/06/06	High Temperature	HighTemp	ON	S02
15:00:09.00	04/06/06	High Temperature	HighTemp	OFF	S02
15:31:04.37	04/06/06	Speed Monitor 4	SpeedLim	ON	S07 16MPH

The first two records indicate that power was off to the recorder for approximately 32 seconds. Later in the same day the measured temperature was found to be excessive for approximately 48 minutes. A train speed violation of 16mph occurred at 15:31:04. The Input Names, Input Identifiers and Event Name pairs shown above are the permanent assignments used in System Event records. They cannot be changed by the user.

The first record listed above is also shown below as it would appear at the front panel LCD.

```
05:18:27.00 04-06-06  
S01  
System Power  
Power OFF
```

System Events can be Queried and Browsed just like other Event Records. Instead of selecting a D, A, V or T input type designator, select the S type.

Tip System Events are always logged to memory in chronological sequence. The power on event will immediately follow the power off event. The time between the two Event Records indicates the period during which no logging was possible. All of the Analog Input measurements for S1 records will be reported with a zero value. This is done to eliminate erroneous readings.

Upgrading the Firmware

Like any microprocessor-based product the CWR-72 executes a stored memory program. The program, referred to as firmware, is saved in a Flash Memory chip. Flash Memory chips are uniquely characterized by their permanent storage and multiple write properties. Their use allows the CWR-72 firmware to be upgraded to a newer version by simply uploading a new program file. The more common practice of shipping and replacing a Programmable Read Only Memory (PROM) chip does not apply to the CWR-72. Consequently, there is no need to open the unit to gain access to the Processor PCB.

Note The firmware upgrade procedure is normally performed via a PC connected to the Terminal Port of the recorder. It cannot be performed via the front panel keypad. An upgrade can be performed remotely if the recorder is equipped with the optional internal modem. In such cases MICRO-AIDE support personnel can perform the upgrade at the request of the user.

Before the upgrade can be performed the PC communications program (e.g., HyperTerminal® or Procomm Plus®) must be properly configured. The following list describes the correct configuration.

- **Transfer protocol:** Xmodem.
- **Connection:** Typically Direct connect-Com1 or Direct connect-Com2 (whichever is available at the PC).
- **Baud rate:** set to 38,400 and set to N-8-1. The boot loader can only communicate at 38,400 Baud.

Each of the steps required to perform the upgrade are listed below.

1. Turn the power off and then back on to the recorder. After a few seconds the following message will be displayed at the PC.

```
Micro-Aide CWR-72/264 Flash Boot Loader  
Press ESC for boot loader
```

2. Press the **ESC** key at the keyboard of the PC within five seconds after the boot message is displayed. The following menu of commands will then be displayed.

```
Menu
U Upload new program to Flash memory
D Display sample of uploaded code
F Display flash
R Run main program
Enter Command:
```

3. Press the **U** key followed by the **Enter** key to proceed with the upload. A message similar to the following will be displayed.

```
Flash status is 0080
Flash memory mfg-dev code is 0089-2274
For 28F200BVT/28F200B5T this should be 0089-2274
Hit enter to erase and start upload, any other key to abort
```

4. Before the new firmware can be uploaded the contents of the Flash Memory chip must be erased. To initiate the erase press the **Enter** key. The following message will be displayed.

```
Start XMODEM upload now
CCCC
```

5. The C characters listed in the last line of text are an indication that the recorder is ready to receive the new program file. The next several steps depend upon whether the user is accessing the recorder via HyperTerminal or Procomm Plus. Both procedures are listed below.

HyperTerminal

1. With the mouse, click on the Transfers command, then the Send File ... command. The Send File dialog box will open. Verify that the Xmodem protocol is selected.
2. Select the correct disk drive, folder and filename (e.g., CWR-72 V302.bin). If the various settings are correct click on the Send button.
3. An information box will automatically open. It will indicate the progress of the transfer. The information box will close automatically to indicate a successful transfer. The following message will be displayed to indicate the completion of the transfer.

```
End of file, transfer completed
Hit any key to continue
```

4. Press any key to display the following menu of commands.

```
Menu
U Upload new program to Flash memory
D Display sample of uploaded code
F Display flash
R Run main program

Enter Command:
```

5. Press the **R** key followed by the **Enter** key to run the program just loaded. The request for a password message will be displayed and normal operation of the recorder will commence.

Procomm Plus

1. With the mouse, click once on the Send File icon near the top center of the Procomm Plus window. The icon appears as an upward pointing arrow. The Procomm Plus Send File using-Xmodem dialog box will open.
2. Select the correct disk drive, folder and filename (e.g., CWR-72 V302.bin). If the various settings are correct click on the Open button.
3. An information box labeled Xmodem will appear. It will indicate the progress of the transfer. The information box will close automatically. The following message will be displayed to indicate the completion of the transfer.

```
End of file, transfer completed
Hit any key to continue
```

4. Press any key to display the following menu of commands.

```
Menu
U Upload new program to Flash memory
D Display sample of uploaded code
F Display flash
R Run main program

Enter Command:
```

5. Press the **R** key followed by the **Enter** key to run the program just loaded. The request for a password message will be displayed and normal operation of the recorder will commence.

Note After completing the firmware upgrade procedure it may be necessary to execute the Reset System command. A reset should be performed only if recommended by MICRO-AIDE customer service technicians. Refer to “Reset System (R)” on page 19.

Trouble-shooting Guide

The following guide is provided to assist the user in resolving problems that may occur with the operation of the CWR-72. It can be especially helpful when attempting to operate the recorder for

the first time. Procedures for resolving both local and remote problems are listed. Where multiple steps are indicated it is recommended that they be performed in the order listed. Corrective actions to be performed inside the CWR-72 must be carried out in accordance with the procedure entitled “Working Inside the Recorder” on page 85.

If the user is unable to resolve the problem, MICRO-AIDE customer service technicians should be contacted. The user will be asked to state the problem, related symptoms, and indicate any operations or conditions that have a bearing on the problem. If available, the results of any diagnostic tests should be reported. If the recorder has an installed modem it may prove to be helpful in diagnosing the problem from the MICRO-AIDE factory. The user will be asked to provide the appropriate telephone number and correct password.

Symptom or Problem	Resolution
No indication of power	Verify 10 to 36Vdc at B and N power terminals Inspect fuse on Processor PCB
PC does not display data	Check cable connection to Terminal Port Verify cable is assembled per Figure 7 on page 99 Check Baud rate setting Check if Terminal LED on front panel illuminates
Data at PC is garbled	Check Baud rate setting Verify following setting: 8 data bits, 1 start bit, 1 stop bit
Printer connected to Terminal Port is missing data	Use Pause and Resume commands to prevent overflowing data buffer of printer
Highlight cannot be moved at PC	Set the PC for ANSI emulation
Initial Check-out Procedure fails on all inputs	Verify polarity of test voltage is applied correctly Verify Detection Times are not set to zero Check inputs using View Events command
Event Records are not being created on some inputs	Check wiring, especially polarity Set Detection Time to shorter value Verify Detection Times are not set to zero
Flashing Inputs create multiple Event Records	Enable flashing status for inputs Set Detection Time to a longer value
Multi-page reports are not printed	Verify the printer is turned on Verify the printer is connected to the Printer Port with a parallel printer cable Verify the printer is online Verify the printer is supplied with paper
Browse key at front panel will display single Event Record; however, Print key will not print the displayed record	Press the page eject button on the printer's control panel
Last page of printed report is missing	Press the page eject button on the printer's control panel

Table 7 - Guide to Trouble-shooting Techniques

Columns of printed report do not line up	Select a mono-spaced printer font (e.g., Courier) Refer to the printer's user manual
Analog Input AC source measures 0	Analog Input is configured for DC, change to AC
Analog Input DC source measures correctly but reports AC units	Analog Input is configured for AC, change to DC
Negative Analog Input voltage is not reported, measures 0	Analog Input Range is set to +51.1Vdc, change to \pm setting
AC analog readings are not stable	Reassign the analog Filter setting to Slow
DC analog readings are not tracking voltage changes	Reassign the analog Filter setting to Fast
Upload/Download of Setup Database fails	Verify XMODEM protocol is being used
Modem does not answer	Check phone line connection Verify Modem Ring Count is not set to zero
Modem answers but fails to connect	Check modem Baud rate at host end Verify host modem is compatible with recorder modem Test host modem with another auto-answer system
Modem will not dial out alarms	Test phone line for dial tone Perform Modem Test command Verify modem is enabled by Virtual Input Check Primary and Secondary Dial Numbers
Internal relay will not operate	Perform Relay Test command Verify relay is enabled by Virtual Input Disconnect the external circuit attached to the relay contacts, test again
CWR-CS Current Sensor is installed but current readings are 0	Set Analog Input Switches to on position
Visibility of LCD characters is poor	Adjust LCD contrast

Table 7 - (Continued) Guide to Trouble-shooting Techniques

This completes the User Manual for the CWR-72 Event Recorder. As an aid to the user four appendices have been provided. They include detailed specifications and options applicable to the CWR-72. Appendix C includes information pertaining to the CWR-CS Current Sensor. Appendix D includes a complete Bill of Materials for each sub-assembly.

Any comments the reader may have on how to improve this manual are welcomed. Comments should be forwarded to the Director of Marketing, MICRO-AIDE Corporation.

TECHNICAL DATA

Specifications

Physical

Size

Length: 11.1"

Height: 7.0"

Depth: 3.1"

Weight

3.5lb.

Environmental

Storage

Temperature: -50°C to 85°C

Humidity: 0 to 95%, non-condensing

Operating

Temperature: -40°C to 72°C

Humidity: 0 to 95%, non-condensing

Mounting

Standard: shelf or back board mounting (includes brackets)

Optional: 19" rack mounting brackets available

Construction

Chassis

Fully enclosed, anodized aluminum

Externally accessible keypad, LEDs and connectors

Electrical

All components mounted on conformal coated, internal PCBs

Power

Voltage

Range: 10 to 36Vdc

Consumption

Typical: 6W

Maximum: 7W (with Modem PCB)

Isolation

Power

Minimum: 3800Vdc from B and N terminals to chassis and inputs

Digital Inputs

Minimum: 3800Vdc to any terminal

Analog Inputs

Minimum: 3800Vdc to any terminal

Input to Adjacent Input

Digital: minimum 3800Vdc

Analog: minimum 3200Vdc

Internal Modem (optional)

Designed to meet FCC part 68 standards

Capacities

Inputs

Digital: 64, all opto-isolated

Analog: 8 total; 1 internally connected to B and N power terminals, 4 can measure current

Virtual: 16, user assigned

Timer: 32, user assigned

Outputs

Relays: 2, dual form C, rated for 2A at 24Vdc or 1A at 125Vac, maximum switching capacity of 125VA or 60W, service life 1 million electrical (typical)

Event Storage

Standard: 123,040 records, expandable to 246,336 records

Memory Full: 129th day overwrites first day, newest data overwrites oldest data

RS-232 Port

Quantity: 1, for use with a PC

Emulation: ANSI

Baud Rates: 10 settings, 300 to 115,200

Bit Format: N-8-1

Capacities (continued)

Printer Port

Quantity: 1, parallel, for use with inkjet and laserjet printers

Liquid Crystal Display

Characters: 80 total on 2 lines

Character Set: A-Z upper- and lower-case, 0-9, various symbols

Viewing Area: 2.8" by .8"

Front Panel Keypad

Quantity: 20 keys

Keys: 0-9, Browse, Alpha, Setup, Esc, Enter, Print, left, right, up/., down/-

Inputs

Input Impedance

Digital: minimum 10KOhms, opto-isolated

Analog: minimum 10MOhms

Range

Digital Input - On: 5 to 40Vdc

Digital Input - Off: 0 to 2Vdc

Analog DC Voltage: 3 scales, ± 25.5 , $+51.1$, ± 255

Analog AC Voltage: 2 scales, 25.5, 255

Analog Current: 2 scales (optional), ± 25.5 Adc, 25.5Aac

Event Validation Times

Digital: .01 to 327.67 seconds, compatible with fixed rate flashing circuits

Analog: fast and slow filter settings

Analog Input Accuracy

Typical Vdc: $\pm 1\%$ full scale

Typical Vac: $\pm 1.5\%$ full scale

Typical Current: $\pm 2\%$ full scale

Analog Limit Values

Voltage

Separate low and high limits, in multiples of .1V or 1V

Current

Separate low and high limits, in multiples of .1A

Internal Temperature

Separate low and high limits, -67°F to 257°F

Virtual Inputs

Quantity

16, user assigned

Definitions

Any logical association shared by 1 to 4 variables (i.e., Digital, Analog, Timer or Virtual Inputs)

Assigned by defining the state of the Virtual Input for each combination of variable states

Reporting

Creates standard Event Record

Relays can be controlled by each Virtual Input

Modem (optional) can be set up to dial-out Event Record

Timer Inputs

Quantity

32, user assigned

Programming

Any input can be assigned as the trigger or terminating source

On or Off events can be assigned as the trigger or terminating source

Limit Values

Separate low and high limits per assigned Timer Input, in multiples of .1 seconds

Range: 0.0 to 999.9 seconds

Reporting

Measured Time is reported in each Timer Input Event Record

Violation of Limit Values are also reported

Train Speed Monitor

Quantity

4 total, separately programmable

Operation

Reports excessive train speed

Logs standard Event Record

Sensors are wired to 2 spare Digital Inputs

Limit Values

5 to 180 mph

Distance between Sensors

50' to 5280'

Memory

Type

Non-volatile, Event Records and Setup Database are stored in flash memory chip

Storage Longevity

Infinite with power off

Rated for 1 million write operations

Connectors

Digital and Analog Inputs

Detachable, screw-down, 6 or 8 terminals each, 12 to 22AWG

Terminal Port

DE-9 male, configured as DCE

Printer Port

DB-25 female, standard parallel printer configuration

Power

Detachable, screw-down, 4-position, 12 to 22AWG

Dual B and N terminals

Alarm Relays

Detachable, screw-down, 6-position, 12 to 22AWG

Dual N.O., N.C. and common

Telephone Line (2)

RJ-11 female, wired in parallel

Current Sensor

DE-9 female, used with CWR-CS

Controls

Keypad

20 keys, located on front panel

LCD Contrast Adjust

Single-turn potentiometer, located on front panel

Indicators

LCD Panel

Includes LED back lighting for enhanced visibility

Displays numerous command menus for configuring the recorder and retrieving data

LEDs (3)

Power: green

Terminal: green, flashes with send/rcv data

Modem: green, flashes with send/rcv data and ring-in

Internal Clock

Accuracy

Typical: ±1 minute per month (20ppm)

Sync

Spare Digital Input used to synchronize real-time clock

Resolution

Event Records are time stamped to nearest .01 seconds

Operation

Full calendar, auto-adjusted for leap year

Non-volatile with power off

Y2K compliant

Password Protection

Administrative Level

Access to all functions, limit 8 characters

Restricted Level

Access to Event Record and Setup Database viewing only, limit 8 characters

Passcode

Protects against alterations to Setup Database via front panel, limit 8 digits

Internal Modem (optional)

Type

V.34, 33,600 Baud, data compression and error correction

Usage

Remote access via auto-answer operation

Allows dial-out alarm reporting of Virtual Input records

Compliance

Designed to meet FCC part 68 standards

Dial-out Alarms (optional)

Calling Method

Primary and secondary dial numbers, multiple attempts
Tone or pulse dialing

Data

Issues Event Record for enabled
Virtual Inputs

MICRO-AIDE reserves the right to make changes, at its sole discretion, to any specifications listed herein.

Terminal Port Cable

The following cable is included with every CWR-72.

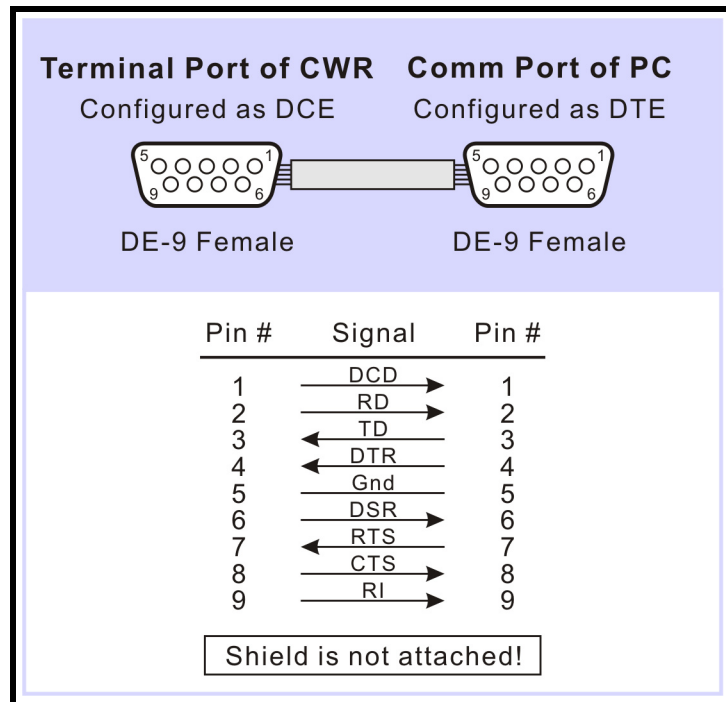


Figure 7 - Terminal Port Cable - Wiring Diagram

OPTIONS AND ACCESSORIES

Options

Internal Modem

85-0106: 33,600 Baud, V.34, V.32bis, V.32, V.22bis, V.22 and V.21, V.42bis and MNP 5 data compression, MNP 2-4 and LAP-M error correction

Memory Expansion

40-0216: 246,336 Event Records

Accessories

Current Sensors

CWR-CS: Current sensor for all CWR series recorders. AC or DC currents, .5 to 25.5A

HCS-4: High Current Sensor, 4 inputs, 1 to 20Adc or Aac

Battery Charger Monitors

CSI-1: Charge Status Indicator, single input, monitors voltage and current

Voltage Detectors

FVD-2: Failed Voltage Detector, 2 inputs, .5 to 48Vdc, .5 to 36Vac, low and high limit values

Light Out Detectors

FLD-2: Failed Lamp Detector, 2 inputs, 3 to 11 lamps each input, DC or AC lamp current, compatible with all recorders

Jumper Combs

147250: Weidmuller 10-position shorting clip used to connect multiple inputs to a single point (e.g., common return)

Mounting

31-0001: 19" rack mounting brackets

31-0003: Wall mounting brackets (included)

Cables

DE-9 to DE-9 (included)

Contact MICRO-AIDE when ordering any options or accessories. Purchase Order may list requested items as described in the above.

CWR-CS CURRENT SENSOR

Introduction

The CWR-CS is an optional accessory that can be used with any MICRO-AIDE CWR series Event Recorder. It is equipped with four general purpose current sensing inputs. Any of the first four Analog Inputs (i.e., A1 - A4) of the CWR-72 can be individually configured to measure either AC or DC current. Refer to the section entitled “Analog Configuration (A)” on page 26. The CWR-CS provides the hardware by which the voltage sensing Analog Inputs of the recorder are converted to current operation. Figure 8 on page 104 provides an illustration of the CWR-CS.

Key Features

There are several important features concerning the CWR-CS the user may wish to consider.

- Either AC or DC currents in the range from 0 to 25.5 A can be measured.
- Each input is completely isolated from the current carrying conductor. The conductor is simply inserted through one of four holes in the unit.
- Hall-Effect circuitry is used to provide a wide operating range and stable performance.
- No adjustments or calibration steps are required prior to operation.
- No external power connections are required. The Event Recorder provides the power.
- The CWR-CS can be located up to 15' away from the recorder.
- Each insertion hole will accommodate a conductor terminated with a .5" ring lug.

Installation and Setup

Figure 8 illustrates a typical CWR-CS installation. The unit may be mounted in any orientation (e.g., vertical or horizontal). It is not sensitive to the earth's magnetic field. The base of the unit provides four mounting holes. A shelf or back board makes an ideal mounting platform.

The current carrying conductors to be measured must be inserted through the holes in the unit. Turn the power off to the CWR-72. Enable the required Analog Input circuits in the CWR-72 by turning on the appropriate switches located on the main PCB of the recorder. The correct procedure is described in the section entitled “Analog Input Switches (SW1)” on page 86.

Each CWR-CS is shipped with a 15' cable. Connect the cable from the CWR-CS to the connector labeled "Current Sensor" located along the left end panel of the CWR-72. Apply power to the recorder. The recorder is now ready to report current measurements.

Caution Never connect a Current Sensor input to an Analog Input that has a voltage source connected. Damage to the Current Sensor or improper operation of the voltage source may result.

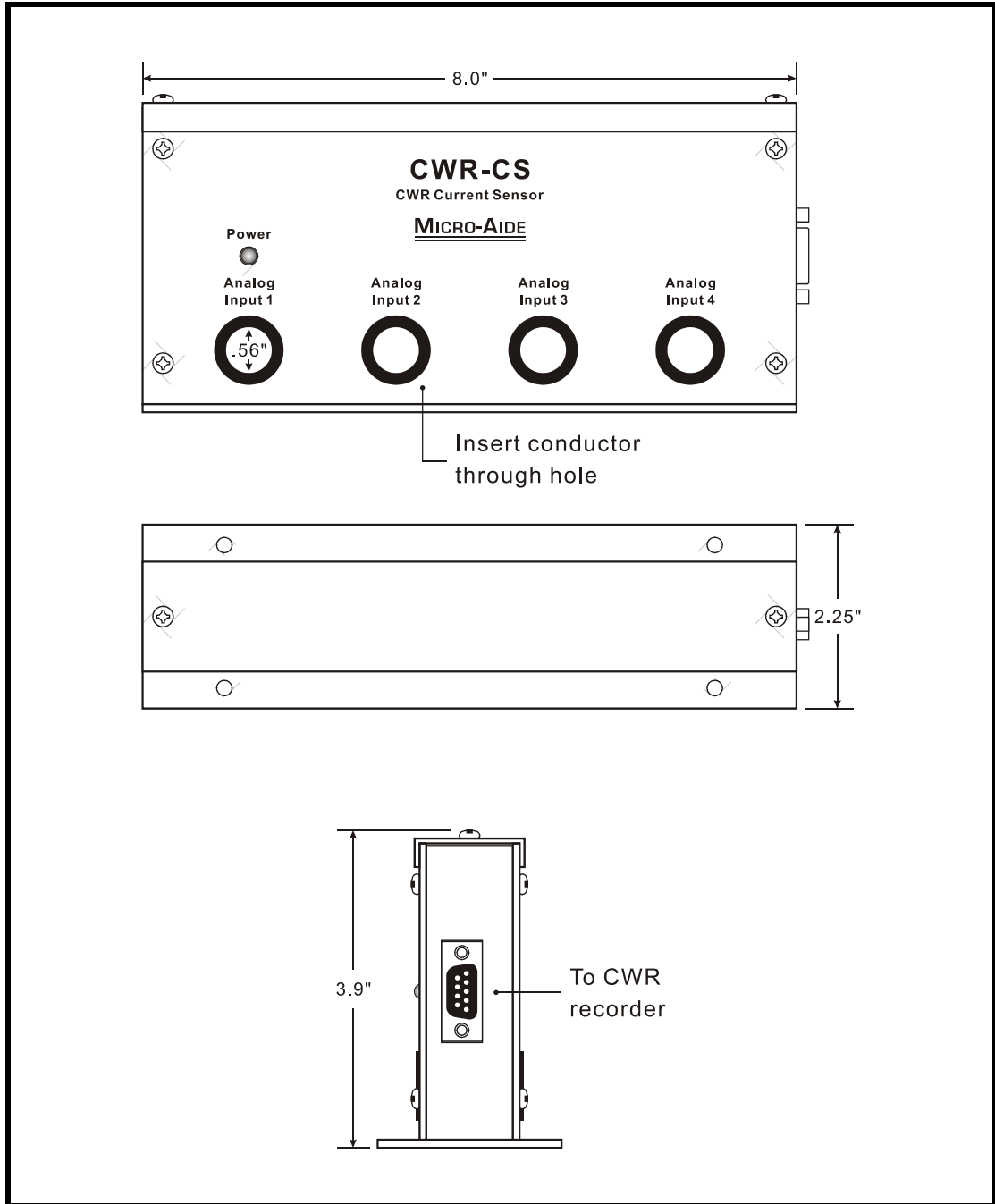


Figure 8 - CWR-CS Front, Top and Side Views

BILLS OF MATERIAL

CWR-72 Bill of Material

M-A Part No.	Description / MFG Part No.	Qty.
PA85-0067/00	PCB ASSEMBLY, PROCESSOR	1
PA85-0068/00	PCB ASSEMBLY, I/O	1
PA85-0066/00	PCB ASSEMBLY, KEYPAD	1
PA85-0106/00	PCB ASSEMBLY, MODEM	(OPT.) 1
HB2136/00	BUMPER HH SMITH: 2136	4
HC2402T6/01	CABLE, DE9 TO DE9, FEMALE TO FEMALE CABLE DEPOT: 2402-T-6 FF (MODIFIED)	1
HTCBS-6/00	STANDOFF, NYLON, 3/8" RICHCO: TCBS-6-01	1
HTCBS-8/00	STANDOFF, NYLON, 1/2" RICHCO: TCBS-10-01	3
I ACM2004/00	LCD, YELLOW-GREEN, 20 X 4, BACKLIT AMERICAN ZETTLER: ACM2004D-FL-GBS	1
J IDS-16T/00	CONNECTOR, 16-PIN, FEMALE, STRAIGHT SAMTEC: IDS-16-T	2
JPWW36-1R/01	WIREWRAPE PINS, 36 BY 1 SAMTEC: TSW13607LS	16
JRIDS-C10/00	CONNECTOR, 10-PIN, FEMALE F/W AMP: 746285-1	2
JRIDS-C20/00	CONNECTOR, 20-PIN, FEMALE F/W AMP: 746285-4	2
JRSR-10K/00	STRAIN RELIEF, RIBBON, 10-CONDUCTOR AMP: 499252-5	2
JRSR-20K/00	STRAIN RELIEF, RIBBON, 20-CONDUCTOR AMP: 499252-2	2
JW147250/00	JUMPER COMB, 10-POSITION, .2" WEIDMULLER: 147250	8
JW171634/00	CONNECTOR, SCREW-DOWN, FEMALE, 4-POSITION WEIDMULLER: 171634	1
JW171636/00	CONNECTOR, SCREW-DOWN, FEMALE, 6-POSITION WEIDMULLER: 171636	2
JW171638/00	CONNECTOR, SCREW-DOWN, FEMALE, 8-POSITION WEIDMULLER: 171638	17
M 220266/00	SHEETMETAL, COVER	1
M 220267/00	SHEETMETAL, BASE	1
M 220268/00	SHEETMETAL, END PANEL	1
M 220283/00	SHEETMETAL, MOUNTING BRACKET	2

M-A Part No.	Description / MFG Part No.	Qty.
ZMCWR-72	USER MANUAL, CWR-72	1

CWR-72 Subassemblies

PA85-0067/00 Processor PCB

M-A Part No.	Description / MFG Part No.	Qty.
P 85-0067/00	PCB, PROCESSOR, CWR-56, -72	1
C 220PF/00	CAPACITOR, 220PF, 5%, 100V, CERAMIC AVX: SR211A221JAA	1
C .1MF/00	CAPACITOR, .1MF, 50V, CERAMIC	34
C .47F/00	CAPACITOR, .47F, 5.5V, SUPER CAP ELNA: DH-5R5D474	1
CE220MF/00	CAPACITOR, 220MF, 50V, AXIAL, ELECTROLYTIC ILLINOIS CAPACITOR: 227TTA050M	1
CE220MF/01	CAPACITOR, 220MF, 16V, RADIAL, ELECTROLYTIC ELNA: RJ3-16V221MBX	2
CE2200MF/00	CAPACITOR, 2200MF, 6.3V, RADIAL, ELECTROLYTIC ELNA: RJ3-6V222MBX	1
CT4.7MF/00	CAPACITOR, 4.7MF, 25V, RADIAL, TANTALUM	9
CT10MF/00	CAPACITOR, 10MF, 16V, TANTALUM	1
CT33MF/00	CAPACITOR, 33MF, 16V, RADIAL, TANTALUM	10
D 1N4004/00	DIODE, 400V 1N4004	1
D 1N5822/00	DIODE 1N5822	1
D 1N914/00	DIODE 1N914	4
D MBR160/00	DIODE, SCHOTTKY, 60V MOTOROLA: MBR160	1
DZ1N5359B/00	ZENER DIODE, 24V, 5W 1N5359B	1
F 225001/00	FUSE, 1 AMP LITTELFUSE: 225001	3
FH111501/00	FUSE CLIP LITTELFUSE: 111501	6
H TP-101/00	TEST POINT COMPONENTS CORP.: TP-101-10	6
J PLCC68/00	SOCKET, IC, 68-PIN KYCON: P-68LCC-1	1
JA520250/00	JACK, PHONE, RJ-11, RIGHT ANGLE AMP: 520250-2	2
JA747846/00	CONNECTOR, FEMALE, DB25 AMP: 747846-5	1
JFDB09S/00	CONNECTOR, FEMALE, DB9, RIGHT ANGLE FCI: ID09S33E4GV00	1
JMDE09PL/00	CONNECTOR, MALE, DB9, RIGHT ANGLE ADAM TECH: DE09PL23	1

M-A Part No.	Description / MFG Part No.	. Qty.
JPCA02SJO/00	SHORTING JUMPER CIRCUIT ASSEMBLY: CA02SJO-A	2
JPWW18-2R/01	WIREWRAP PINS, 18 BY 2 SAMTEC: TSW11807LD	1
JRICO-203/00	SOCKET, IC, 20-PIN OUPIIN: 8003-20T3	3
JRIDH10LP/01	CONNECTOR, HEADER, 10-PIN, STRAIGHT ANGLE OUPIIN: 3012-10GSB	2
JRIDH16LP/01	CONNECTOR, HEADER, 16-PIN, STRAIGHT ANGLE OUPIIN: 3012-16GSB	1
JRIDH20LP/01	CONNECTOR, HEADER, 20-PIN, STRAIGHT ANGLE OUPIIN: 3012-20GSB	1
JW151346/00	CONNECTOR, 10-POSITION, RIGHT ANGLE WEIDMULLER: 151346	1
JW151386/00	CONNECTOR, 14-POSITION, RIGHT ANGLE WEIDMULLER: 151386	1
K G5V-2/00	RELAY, 5V, DIP OMRON: G5V-2-H1-DC5	2
L 20-100K/00	INDUCTOR, 10UH ALLIED: AC20-100K	1
L WFB-3.0/00	CHOKE, WOUND FERRITE BEAD FAIR-RITE: 2943666631	2
Q 2N3906/00	TRANSISTOR, PNP 2N3906	1
Q PN2222A/00	TRANSISTOR, TO-92 PN2222	2
QR79L05/00	VOLTAGE REGULATOR, -5V, TO-92 NATIONAL: 79L05	1
QRLT1171/00	VOLTAGE REGULATOR, SWITCHING, TO-220 LINEAR TECHNOLOGIES: LT1171CT	1
R 4.7 OHM/00	RESISTOR, 4.7 OHM, 5%, .25W	2
R 18 OHM/00	RESISTOR, 18 OHM, 5%, .25W	2
R 33 OHM/00	RESISTOR, 33 OHM, 5%, .125W	2
R 100 OHM/00	RESISTOR, 100 OHM, 5%, .25W	1
R 470 OHM/00	RESISTOR, 470 OHM, 5%, .25W	1
R 1K/00	RESISTOR, 1K, 5%, .25W	3
R 4.7K/01	RESISTOR, 4.7K, 5%, .25W	1
R 10K/00	RESISTOR, 10K, 5%, .25W	3
R 16.5K/00	RESISTOR, 16.5K, 1%, .25W	1
R 30.9K/00	RESISTOR, 30.9K, 1%, .25W	1
R 100K/00	RESISTOR, 100K, 5%, .25W	1
R 221K/00	RESISTOR, 221K, 1%, .25W	16
R 1.4M/00	RESISTOR, 1.4M, 1%, .25W	4
R10M/01	RESISTOR, 10M, 1%, .25W	16
RA25010/00	ARRESTOR, GAS, 3-TERMINAL CP CLARE: PMT 3(310)25010	1
RN6S10K/00	RESISTOR NETWORK, 6-PIN, SIP, 10K, 2% BI TECHNOLOGIES: L061C103	1

M-A Part No.	Description / MFG Part No.	Qty.
RP5K/00	POTENTIOMETER, 5K, 1-TURN, TOP ADJUST BI TECHNOLOGIES: 72PR5K	1
RP10K/01	POTENTIOMETER, 10K, 20-TURN, TOP ADJUST BI TECHNOLOGIES: 67YR10K	1
SD4SPST/00	SWITCH, 4-POSITION, DIP AMP: 3-435640-5	1
SH4352381/00	SWITCH COVER, 4-POSITION, DIP GRAYHILL: 76P04	1
TFPC40RM8/00	TRANSFORMER, ASSEMBLY, FLYBACK	1
U 75C185/00	IC, RS-232 TRANSCEIVER, DIP TI: SN75C185N	1
U 80386EX/00	IC, MICROPROCESSOR, 25MHZ, PQFP INTEL: KU80386EXTC-25	1
U ADC1251/00	IC, A/D CONVERTER, 13 BIT, DIP NATIONAL: ADC1251CIJ	1
U ADG408/00	IC, MULTIPLEXER, 8 TO 1, DIP SILICONIX: DG408DJ	1
U ADG419B/00	IC, ANALOG SWITCH, DIP ANALOG DEVICES: ADG419BN	1
U DS1233/00	IC, POWER RESET DALLAS SEMICONDUCTOR: DS1233-10	1
U DS1302/00	IC, CLOCK, DIP DALLAS SEMICONDUCTOR: DS1302	1
U DS1620/00	IC, TEMPERATURE SENSOR DALLAS SEMICONDUCTOR: DS1620	1
U REF03GP/00	IC, VOLTAGE REFERENCE, DIP ANALOG DEVICES: REF03GP	1
UA16C552/00	IC, UART, PLCC STARTECH: 16C552IJ68	1
UF28F200B/00	IC, FLASH MEMORY, 60NS, PSOP INTEL: PA28F200B5-T60	1
UF29F016/01	IC, FLASH MEMORY, 16MBIT, TSOP, 85C AMD: AM29F016D-90E4I	1
UOP27GP/00	IC, OP-AMP, DIP ANALOG DEVICES: OP27GP	1
UOP490GP/00	IC, OP-AMP, QUAD, DIP ANALOG DEVICES: OP490GP	2
UP18CV8/06	PEEL, 85C, DIP ICT: 18CV8PI-15	2
UR628128/00	RAM, 128K X 8, 70NS, 85C, SMT HITACHI: HM628128ALFP-5SL	2
USHC14/00	IC, CMOS INVERTER, DIP TI: SN74HC14N	1
USHCT245/00	IC, CMOS, OCTAL BUS XRCV, DIP TI: SN74HCT245N	1
X 32.768/01	CRYSTAL, 32.768KHZ, 6PF EPSON: C-002RX-32.768KHZE	1
XO1.8432/00	OSCILLATOR, 1.8432MHZ, DIP EPSON: SG-8002DC-1.8432MPTMB	1
XO50.0/00	OSCILLATOR, 50MHZ, DIP EPSON: SG-8002DC-50.000MPTMB	1

PA85-0068/00 I/O PCB

M-A Part No.	Description / MFG Part No.	Qty.
P 85-0068/00	PCB, I/O, CWR-56, -72	1
C .1MF/00	CAPACITOR, .1MF, 50V, CERAMIC	3
CT4.7MF/00	CAPACITOR, 4.7MF, 25V, RADIAL, TANTALUM	1
D IN4004/00	DIODE, 400V 1N4004	64
JRIDH10LP/01	CONNECTOR, HEADER, 10-PIN, STRAIGHT ANGLE OUPIN: 3012-10GSB	1
JW152246/00	CONNECTOR, 8-POSITION, STRAIGHT WEIDMULLER: 152246	16
R 10K/01	RESISTOR, 10K, 5%, 1/8W	64
RN5S4.7K/00	RESISTOR NETWORK, 5-PIN, 4.7K, 2% BI TECHNOLOGIES: L051C472	4
RN9S4.7K/00	RESISTOR NETWORK, 9-PIN, 4.7K, 2% BI TECHNOLOGIES: L091C472	6
UOPC845/00	IC, OPTO-COUPLER, QUAD, DIP ISOCOMM: PS2502-4	16
USHC165S/00	IC, SHIFT REGISTER, SMT MOTOROLA: MM74HCT165M	8

PA85-0066/00 Keypad PCB

M-A Part No.	Description / MFG Part No.	Qty.
P 85-0066/00	PCB, KEYPAD, CWR-56, -72, -96E, -264, -264E, -264P, -272E	1
C .1MF/00	CAPACITOR, .1MF, 50V, CERAMIC	2
C 1MF/00	CAPACITOR, 1MF, 50V, CERAMIC	1
DH126-210/00	STANDOFF, POTENTIOMETER BIVAR: DH126-210	1
DHC-174/00	STANDOFF, LED BIVAR: DHC-174	3
DL3962/00	LED: GREEN, SINGLE HP: HLMP-3962	3
JPWW36-1R/01	WIREWRAP PINS, 36 BY 1 SAMTEC: TSW13607LS	16
JRIDH20LP/01	CONNECTOR, 20-PIN, STRAIGHT ANGLE OUPIN: 3012-20GSB	1
R 4.7 OHM/00	RESISTOR, 4.7 OHM, 5%, .25W	1
R 330 OHM/00	RESISTOR, 330 OHM, 5%, .25W	3
RP10K/00	POTENTIOMETER, 10K, 1-TURN, TOP ADJUST BI TECHNOLOGIES: 72PR10K	1
SP320.04/00	SWITCH, PUSHBUTTON ESWITCH: 320.04 E1-1 GRY	20
U 74C923/00	IC, KEYBOARD INTERFACE MOTOROLA: MM74C923N	1

PA85-0106/00 Modem PCB

M-A Part No.	Description / MFG Part No.	Qty.
P 85-0106/00	PCB, MODEM, SILICON LABS, ALL CWR EVENT RECORDERS	1
C 560PF/00	CAPACITOR, 560PF, 1KV, CERAMIC, DIP XICON: 140-102P6-561K	2
C .001MF/04	CAPACITOR, .001MF, 10%, 3KV, X7R, CERAMIC VISHAY: 30TSD10	2
C .1MF/00	CAPACITOR, .1MF, 50V, CERAMIC	2
CT10MF/00	CAPACITOR, 10MF, 16V, TANTALUM	2
CX10PF/00	CAPACITOR, 10PF, 10%, 50V, NPO, CERAMIC, 0805 XICON: 140-CC501N100D	1
CX150PF/00	CAPACITOR, 150PF, 3KV, X7R, CERAMIC, 1808 JOHANSON: 302R29W151MV4	2
CX1800PF/00	CAPACITOR, 1800PF, 50V, X7R, CERAMIC, 0805 XICON: 140-CC501B182K	1
CX.0039MF/00	CAPACITOR, .0039MF, 50V, X7R, CERAMIC, 0805 XICON: 140-CC501B392K	2
CX.01MF/00	CAPACITOR, .01MF, 50V, X7R, CERAMIC, 0805 XICON: 140-CC501B103K	1
CX.022MF/00	CAPACITOR, .022MF, 630V, X7R, CERAMIC, 1206 PANASONIC: ECJ-3FB2J222K	1
CX.1MF/00	CAPACITOR, .1MF, 50V, X7R, CERAMIC, 0805 XICON: 140-CC501B104K	4
CX.22MF/00	CAPACITOR, .22MF, 50V, X7R, CERAMIC, 1206 KEMET: C1206C224K5RACTU	4
CXT.1MF/00	CAPACITOR, .1MF, 35V, TANTALUM, 3.2X1.6 KEMET: T491A104K035AS	1
CXT1MF/00	CAPACITOR, 1MF, 16V, TANTALUM, 3.2X1.6 KEMET: T491A105K016AS	1
D DB105/00	DIODE, BRIDGE, 600V, .8A MICRO SEMI: DB105	1
DXBAV99/00	DIODE, DUAL, SOT-23 FAIRCHILD: BAV99	2
DXZ5232B/00	DIODE, ZENER, 5.6V, SOD-123 FAIRCHILD: MMSZ5232B	2
DXZ5248B/00	DIODE, ZENER, 18V, SOD-123 FAIRCHILD: MMSZ5248B	1
JFBCS-108/00	CONNECTOR, HEADER, FEMALE, 16-PIN SAMTEC: BCS-108-L-D-TE	1
QR1117-3/00	VOLTAGE REGULATOR, 3.3V, SMT BURR BROWN: REG1117-3.3	1
QXBCP56/00	TRANSISTOR, NPN, SOT-223 ON SEMI: BCP56	1
QXMMBTA42/00	TRANSISTOR, NPN, SOT-23 FAIRCHILD: MMBTA42	2
QXMMBTA92/00	TRANSISTOR, PNP, SOT-23 FAIRCHILD: MMBTA92	1
RVERZV07D/00	VARISTOR, 175V, 1200A PANASONIC: ERZV07D241	2
RX10 OHM/00	RESISTOR, 10 OHM, 5%, .1W, 0805 XICON: 260-10	2

M-A Part No.	Description / MFG Part No.	. Qty.
RX150 OHM/00	RESISTOR, 150 OHM, 5%, .1W, 0805 XICON: 260-150	1
RX402 OHM/00	RESISTOR, 402 OHM, 1%, .1W, 0805 XICON: 292-402	1
RX1.78K/00	RESISTOR, 1.78K, 1%, .1W, 0805 XICON: 292-1.78K	2
RX2.2K/00	RESISTOR, 2.2K, 5%, .1W, 0805 XICON: 260-2.2K	1
RX9.31K/00	RESISTOR, 9.31K, 1%, .1W, 0805 XICON: 292-9.31K	1
RX10K/00	RESISTOR, 10K, 5%, .1W, 0805 XICON: 260-10K	2
RX56K/00	RESISTOR, 56K, 5%, .1W, 0805 XICON: 260-56K	2
RX100K/01	RESISTOR, 100K, 1%, .1W, 0805 XICON: 292-100K	1
RX120K/00	RESISTOR, 120K, 5%, .1W, 0805 XICON: 260-120K	1
UXMAT2508/00	IC, EEPROM, 2.7V, SOIC-8 ATMEL: AT2508AN-10SI-2.7	1
UXSI2433/00	IC, MODEM, TSSOP-24 SILICON LABS: SI2433-BT	1
UXSI3015/00	IC, MODEM DAA, SOIC-16 SILICON LABS: SI3015-BS	1
XXO4.9152/00	OSCILLATOR, 4.9152MHZ, SMT EPSON: SG-8002JF-4.9152M-PCMB	1

CWR-CS Bill of Material

M-A Part No.	Description / MFG Part No.	. Qty.
PA85-0038/00	PCB ASSEMBLY, QUAD CURRENT SENSOR	1
H 8477/00	GROMMET, .75" I.D. KEYSTONE: 8477	8
HC2402T15/00	CABLE, DB9 TO DB9, MALE TO MALE CABLE DEPOT: 2402-T-15 MM	1
M 220183/00	SHEETMETAL, COVER	1
M 220183/01	SHEETMETAL, BASE	1
M 220183/02	SHEETMETAL, FRONT PANEL	1
M 220183/03	SHEETMETAL, REAR PANEL	1
M 220183/04	SHEETMETAL, SIDE PANEL, RIGHT	1
M 220184/04	SHEETMETAL, SIDE PANEL, LEFT	1
ZMCWR-CS	REFERENCE NOTE: PART OF CWR-72 USER MANUAL	. SEE NOTE

CWR-CS Subassemblies

PA85-0038/00 Quad Current Sensor PCB

M-A Part No.	Description / MFG Part No.	Qty.
P 85-0038/00	PCB, QUAD CURRENT SENSOR	1
C 220PF/00	CAPACITOR, 220PF, 5%, 100V, CERAMIC AVX: SR211A221JAA	8
C 1MF/00	CAPACITOR, 1MF, 50V, CERAMIC	4
CT33MF/00	CAPACITOR, 33MF, 16V, RADIAL, TANTALUM	3
DL3962/00	LED, GREEN HP: HLMP-3962	1
H PTX2515/00	TOROID, .062" GAP EASTERN COMPONENTS: P-TX251510-3C81-G.062	4
H TP-101/00	TEST POINT COMPONENTS CORP.: TP-101-10	5
JFDB09S/00	CONNECTOR, FEMALE, DB9, RIGHT ANGLE FCI: ID09S33E4GV00	1
Q A3516/00	TRANSISTOR, HALL-EFFECT ALLEGRO: A3516EAU	4
QR7805/00	VOLTAGE REGULATOR, 5 V NATIONAL: LM340T-5	1
R 330 OHM/00	RESISTOR, 330 OHM 5%, .25W	4
R 1.8K/00	RESISTOR, 1.8K 5%, .25W	4
R 2.7K/00	RESISTOR, 2.7K 5%, .25W	1
R 4.99K/00	RESISTOR, 4.99K 1%, .25W	8
R 7.87K/00	RESISTOR, 7.87K 1%, .25W	4
R 8.87K/00	RESISTOR, 8.87K 1%, .25W	4
R 73.2K/00	RESISTOR, 73.2K 1%, .25W	8
RP1K/00	POTENTIOMETER, 1K, 20-TURN, HORIZONTAL, SIDE ADJUST BI TECHNOLOGIES: 68PR1K	8
UOP490GP/00	OP-AMP, QUAD, 85C ANALOG DEVICES: OP490GP	1

Material Return Policy

In the event the customer identifies a malfunction in any product, call or write MICRO-AIDE and obtain a Return Material Authorization (RMA) number from the customer service department. Return the product to MICRO-AIDE, freight prepaid, with a note (in-warranty repair) or a purchase order (out-of-warranty) for the repair listing the following information:

- RMA number from MICRO-AIDE
- Return shipment address
- Name and telephone number of person familiar with the problem
- Brief description of the problem (include any printouts that may have a bearing on the problem)
- Method of payment for repair costs (out-of-warranty)
- Send product to the following address:

MICRO-AIDE CORPORATION

685 Arrow Grand Circle

Covina, CA 91722

Tel: 626-915-5502 Fax: 626-331-9484

E-mail: support@micro-aide.com

Limited Warranty

MICRO-AIDE warrants its products to be free from defects in material and workmanship for a period of five (5) years from the date of shipment. This warranty is in lieu of any other warranty, expressed or implied. In no event shall MICRO-AIDE be held liable for incidental or consequential damage resulting from (1) the use of any of its products, or (2) any alleged breach of this warranty provision. MICRO-AIDE's liability shall be limited to repairing or replacing, at its sole discretion, any defective product which is returned in accordance with the MICRO-AIDE Material Return Policy.

Product that has been subjected to abuse, misuse, alteration, accident, lightning damage, neglect or unauthorized installation or repair shall not be covered by this warranty. MICRO-AIDE reserves the right to make a final decision as to the existence of any failures and the cause of such failures. No warranty is made with respect to custom equipment or products produced to buyer's specifications except as mutually agreed upon in writing.

MICRO-AIDE CORPORATION

685 Arrow Grand Circle

Covina, CA 91722

Tel: 626-915-5502 Fax: 626-331-9484

E-mail: support@micro-aide.com