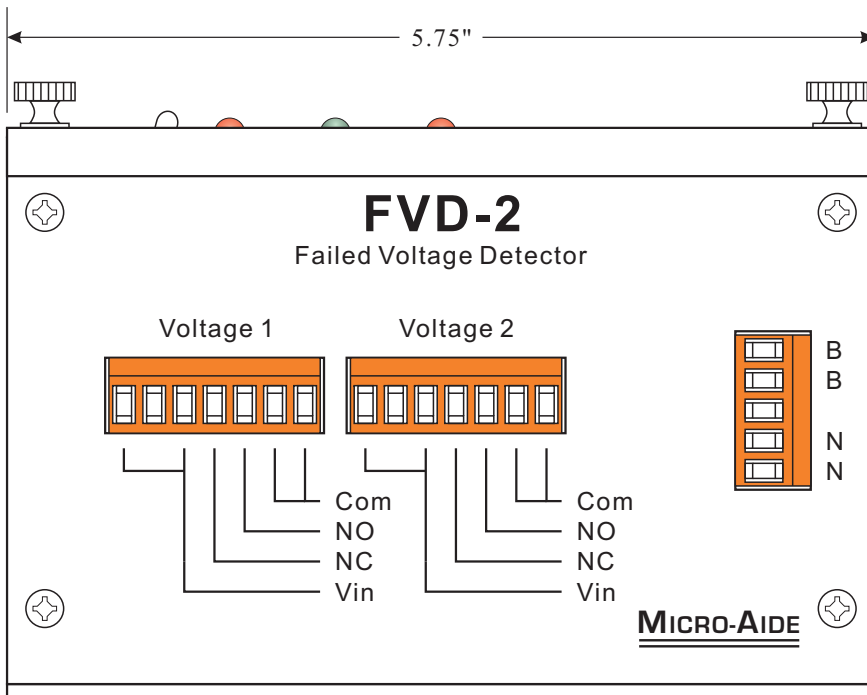


## FVD-2 Failed Voltage Detector

- 2 independent voltage detectors
- .5 to 48 Vdc, .5 to 30 Vac input range
- Adjustable high and low limit values
- Timer settings of 2, 10, 40 and 120 minutes
- N.O. and N.C. relay outputs
- Latching and non-latching relay operation
- 8 to 36 Vdc input power
- Detachable power and input connectors



**MICRO-AIDE**

